

由于本公司持续的产品升级造成的内容变更,恕不另行通知
The content changes caused by company's continuous product upgrades,will not be notified.

版本version:KL20-393



科力尔电机集团股份有限公司

KELI MOTOR GROUP CO.,LTD.

罩极电机产品目录

SHADED POLE MOTOR CATALOG



官方公众号



官方网址

地址: 湖南省祁阳县黎家坪镇南正北路49号
NO.49 Nanzheng North Road Lijiaping Qiyang Hunan

电话: 0086 755 23699106

Tel: 0086 755 23699106

传真: 0086 755 81858899

Fax: 0086 755 81858899

邮箱: market@kelimotor.com

Email: market@kelimotor.com

网址: <https://www.kelimotor.com/>

Http: <https://www.kelimotor.com/>

邮编: 426181

P.C.: 426181



目录

CONTENTS

01	事业部介绍 DIVISION INTRODUCTION	01
02	产品应用 Product Applications.	03
03	产品介绍 Product Descriptions.	07



求真务实 · 精益求精 · 勇于创新

Seeking truth and being pragmatic
Keep improving · Be brave to innovate

www.kelimotor.com



技术沉淀30年 **30**

产品远销至50个国家 **50**

电机累计发货6亿台 **600000000**

事业部介绍 DIVISION INTRODUCTION

科力尔始创于1992年，迄今已成为中国最大的微特电机研发、制造和出口企业之一，其中罩极电机产销量全国第一，并于2017年8月17日在深圳证券交易所挂牌上市，股票代码:002892。

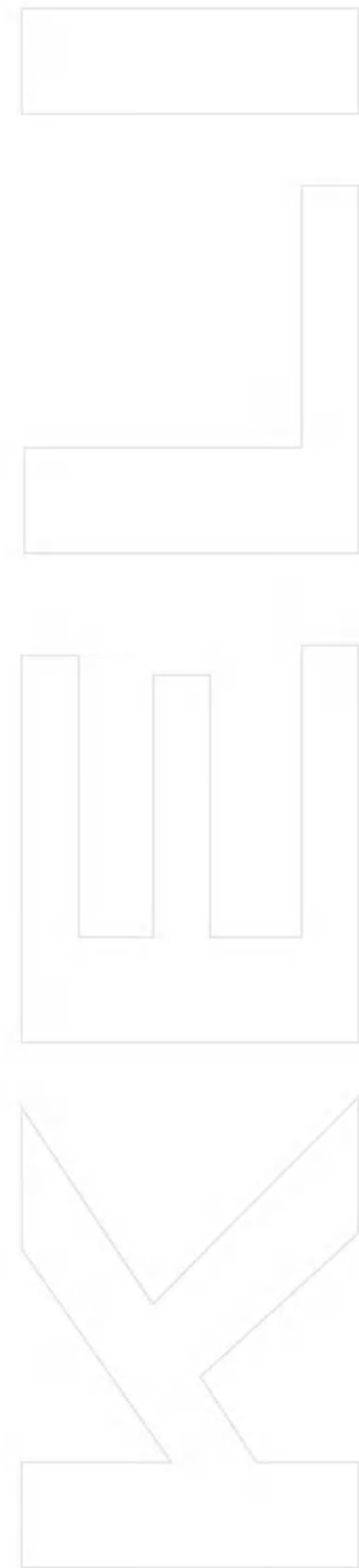
家电事业部主要设计、研发、生产和销售高性能罩极电机。产品广泛应用于厨房电器、家用电器和监控与护理电器等领域中。具体电器产品有微波炉、电磁炉、烤箱、冰箱、咖啡机、暖风机、洗衣机、饮水机、中央空调、医疗雾化器、空气净化器等。罩极电机产销量连续多年全国排名第一，远销国内外享誉全球，是细分行业的龙头企业。合作伙伴有世界500强企业通用电气、伊莱克斯、惠而浦、松下、阿瑟力克及国内大型电器集团美的、海尔、海信、格兰仕等。

紧凑的结构布局、灵活的供电方式、超低的噪音和震动设计以及高等级的耐高温和防护性能，使得我们的产品深得国内外客户的信赖和赞誉，质优价廉、及时交付是我们的核心竞争力。

Established in 1992, Keli motor has become one of the largest micro motor R&D, manufacturer and exporter in China, it's No.1 in the sales and production capacity of shaded pole motor. The Company has been listed in Shenzhen Stock Exchange Market since August 17th, 2017, with Stock code 002892.

The home appliance division mainly designs, develops, produces and sells high-performance shaded pole motors. These products are widely used in kitchen appliances household appliances, monitoring & care appliances and other fields, including microwave ovens, induction cooking, ovens, refrigeration, coffee machines, heaters, washing machines, water dispensing, central air conditioners, medical nebulizers, air purification. The production and sales of our shaded pole motors have ranked No.1 in share in China for many years. We have earned a reputation for excellence both at home and abroad. Keli is an industry global leader in the shaded pole motor segment. Our customer list includes the world's top 500 companies: including General Electric, Electrolux Whirlpool, Panasonic, Arcelik. Domestic electrical appliance groups such as Midea, Haier, Hisense, and Galanz.

At home and abroad, performance characteristics such as the compact structure, flexible power supply, ultra-low noise and vibration design, high temperature resistance and insulation protection have won trust and praise from our customers. High quality design, competitive pricing, and timely delivery are our competitive core competencies.



产品应用 PRODUCT APPLICATION

产品广泛应用于厨房电器、家用电器和监控与护理电器等领域中。

These products are widely used in kitchen appliances, household appliances, monitoring & care appliances and other fields.



• 冰箱
Refrigeration



• 烤箱
Oven



• 洗衣机
Washing Machine



• 电壁炉
Electric Fireplace



• 微波炉
Microwave Oven



• 风扇
Fan



• 空调
Air Conditioning



• 抽油烟机
Range Hoods

产品应用 PRODUCT APPLICATION

产品广泛应用于厨房电器、家用电器和监控与护理电器等领域中。

These products are widely used in kitchen appliances, household appliances, monitoring & care appliances and other fields.



• 雾化器
Nebulizer



• 商用通风设备
Ventilation Equipment



• 消毒柜
Disinfection Cabinet



• 空气净化器
Air Purifier



• 空气炸锅机
Air Fryer



• 暖风机
Heater



• 燃气热水器
Gas Water Heater



• 排气扇
Exhaust Fan

产品介绍

PRODUCT DESCRIPTION

YJ48系列

YJ48 SERIES



性能参数

Technical Data

- 电压: 100-240V
- Voltage: 100-240v
- 频率: 50/60Hz
- Frequency: 50/60Hz
- 绝缘等级: H
- Insulation class: H
- 寿命: 3000小时以上(含油轴承)
- Life: more than 3000 hours (sleeve bearing)

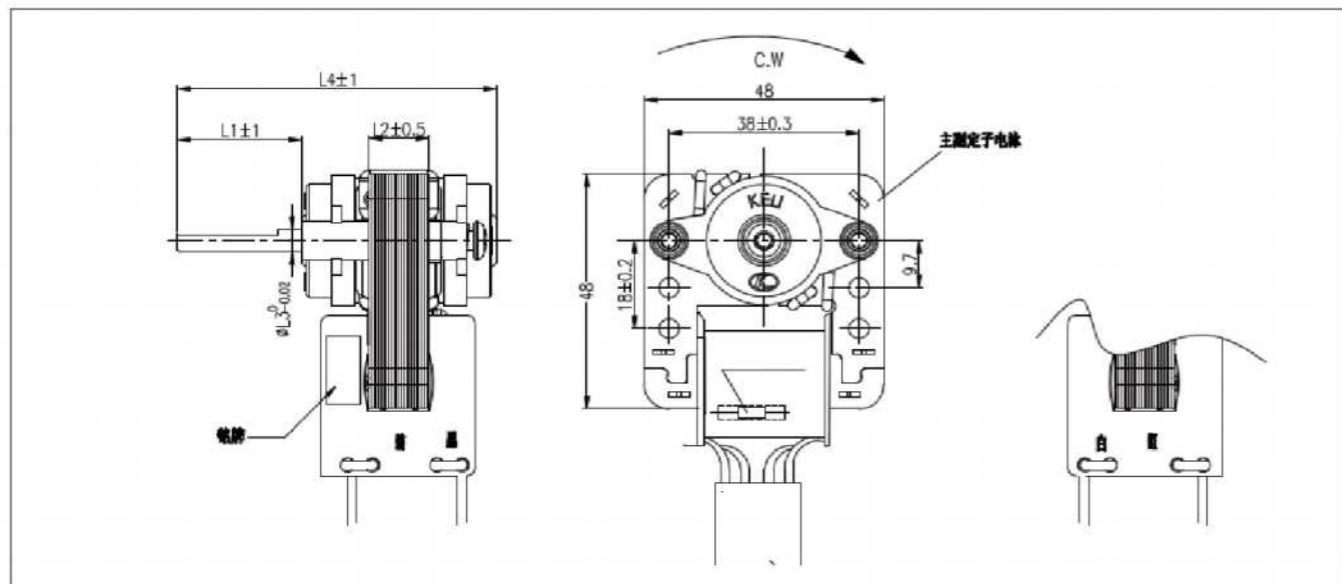
产品应用

Product Application

加湿器
humidifier

外形尺寸

Dimensions



技术参数

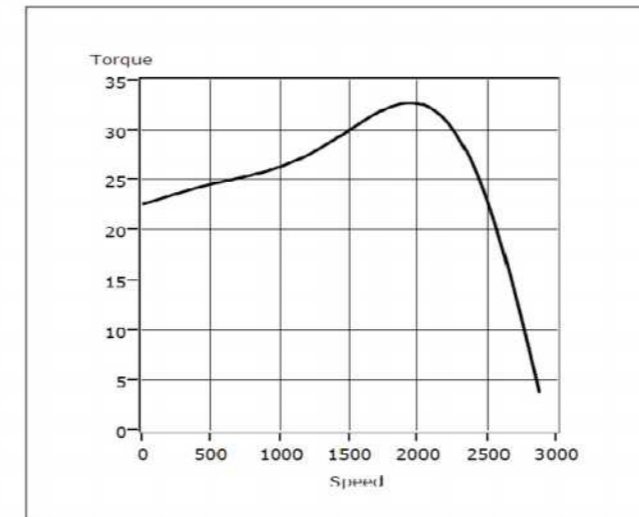
Technical Parameters

型号 Model	尺寸 / Dimensions				参考性能 / Reference Performance				
	L1	L2	L3	L4	空载转速 No-load (RPM)	空载功率 Free power (W)	负载转速 On load speed (RPM)	负载功率 On load power (W)	负载转矩 On load Tor (g.cm)
YJ48-08	25-45	8	Φ3.17 / Φ4	55-68	2600 / 3200	8	2500	9	40
YJ48-10	25-45	10	Φ3.17 / Φ4	57-70	2600 / 3200	9	2500	10	45
YJ48-12	25-45	12	Φ3.17 / Φ4	60-75	2600 / 3200	11	2550	12	50
YJ48-16	25-45	15.5	Φ3.17 / Φ4	60-80	2600 / 3200	13	2600	15	60
YJ48-20	25-45	20	Φ3.17 / Φ4	65-85	2600 / 3200	15	2650	18	80
YJ48-25	25-45	25	Φ3.17 / Φ4	68-90	2600 / 3200	18	2650	22	130

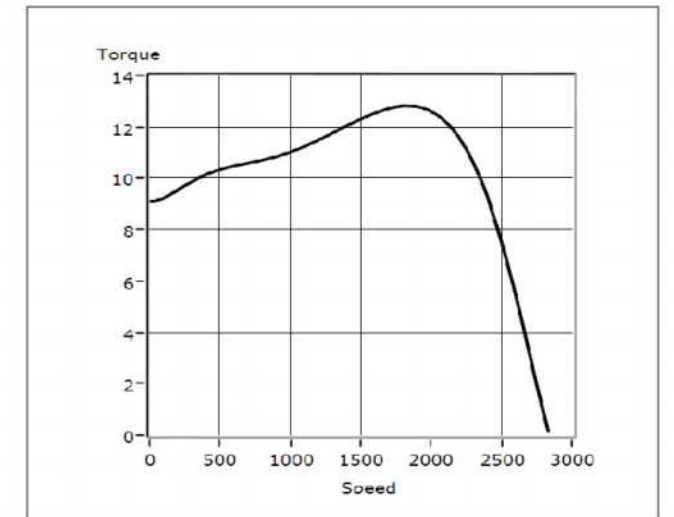
T-S 曲线

T-S Curve

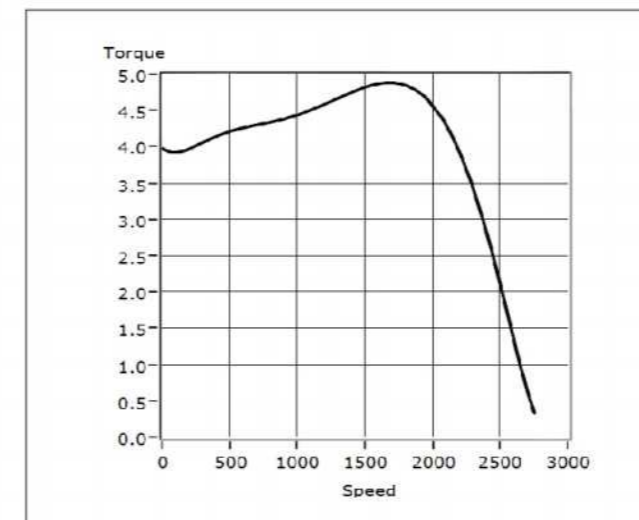
● YJ48-20



● YJ48-12



● YJ48-08



YJ48系列

YJ48 SERIES



性能参数

Technical Data

- 电压:100-240V
- Voltage:100-240v
- 频率:50/60Hz
- Frequency: 50/60Hz
- 绝缘等级:A/E/B
- Insulation class: A/E/B
- 寿命:10000小时以上
- Life: more than 10000 hours

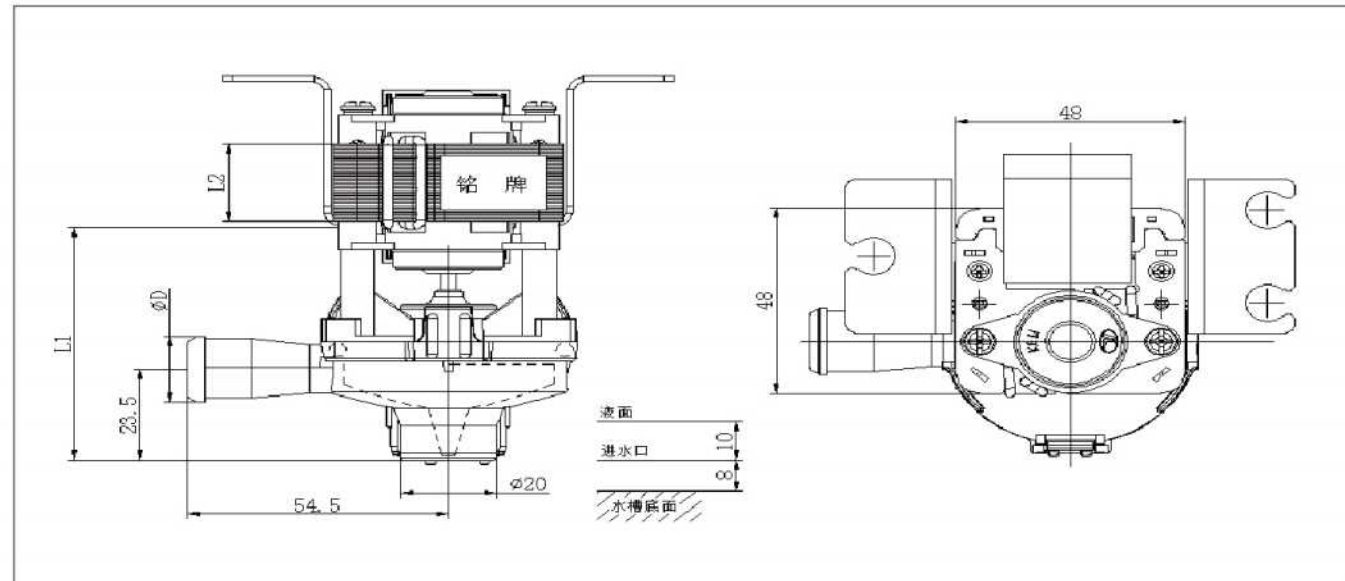
产品应用

Product Application

- 中央空调
central air conditioning
- 移动空调
portable air conditioning

外形尺寸

Dimensions



技术参数

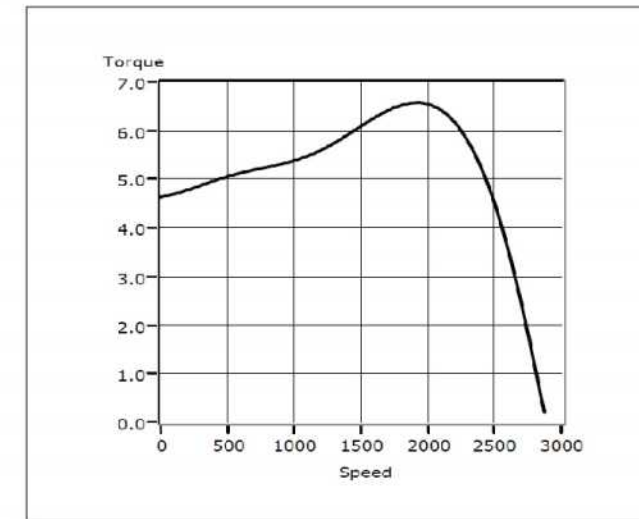
Technical Parameters

型号 Model	尺寸 /Dimensions			参考性能 /Reference Performance							
	L1	L2	ΦD	空载转速 No-load (RPM)	空载功率 Free power (W)	负载转速 On load speed (RPM)	负载功率 On load power (W)	负载转矩 On load Tor (g.cm)	工作流量 Work flow (ml/Min)	额定扬程 Rated lift (cm) Min.	极限扬程 Limit lift (cm) Min.
YJ48-16	60/80	15.5	14/17	2800	6	2500	9	100	400	700	1000
YJ48-20	60/80	20	14/17	2800	7	2500	8	150	500	1200	1300

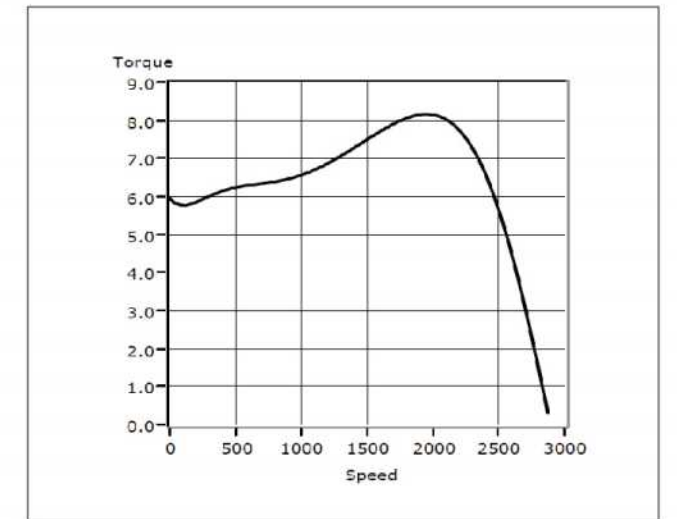
T-S 曲线

T-S Curve

● YJ48-16

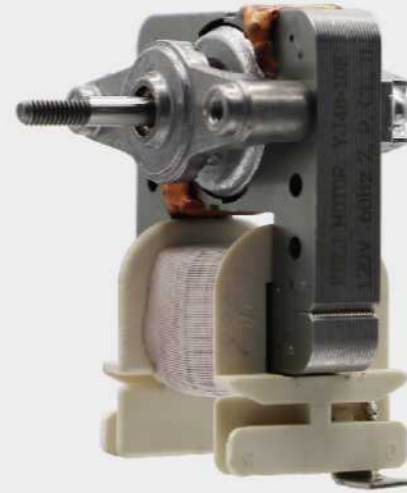


● YJ48-20



YJ48系列

YJ48 SERIES



性能参数

Technical Data

- 电压: 100-240V
- Voltage: 100-240v
- 频率: 50/60Hz
- Frequency: 50/60Hz
- 绝缘等级: H
- Insulation class: H
- 寿命: 1500小时以上(含油轴承)
- Life: more than 1500 hours (sleeve bearing)

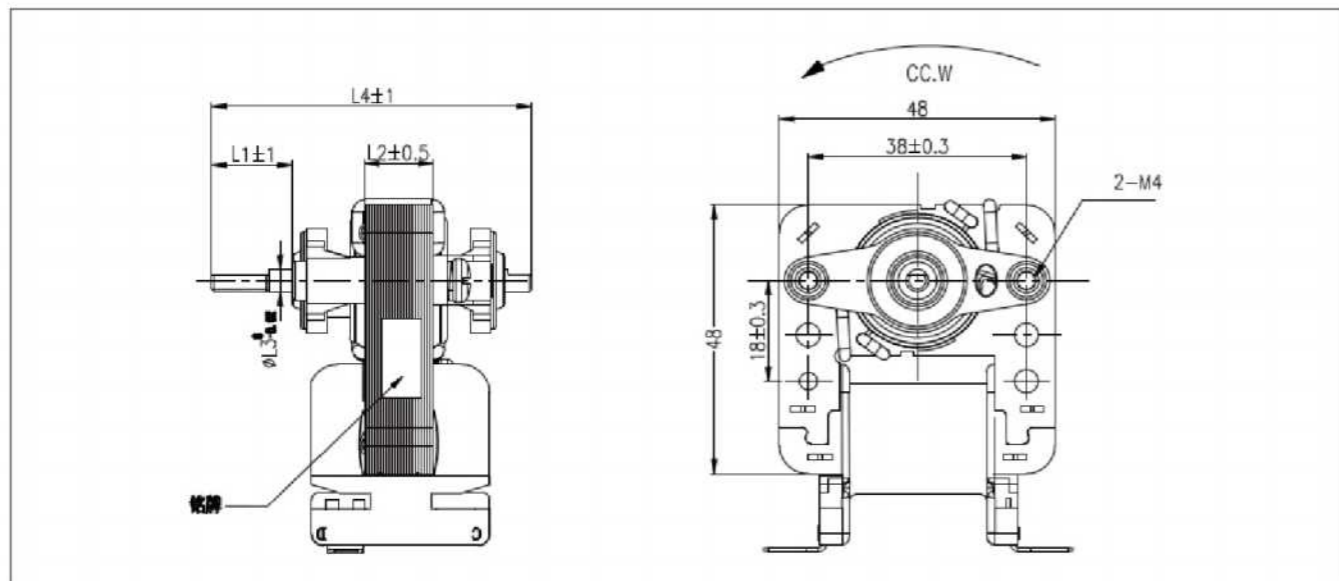
产品应用

Product Application

烤箱
Oven

外形尺寸

Dimensions



技术参数

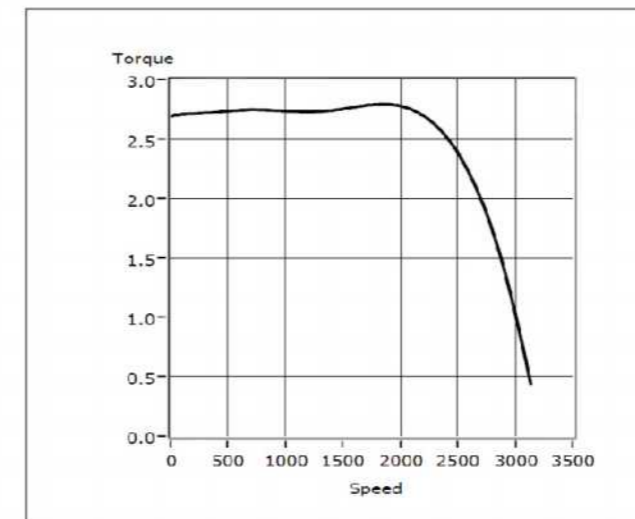
Technical Parameters

型号 Model	尺寸 / Dimensions				参考性能 / Reference Performance				
	L1	L2	L3	L4	空载转速 No-load (RPM)	空载功率 Free power (W)	负载转速 On load speed (RPM)	负载功率 On load power (W)	负载转矩 On load Tor (g.cm)
YJ48-8	12-45	8	$\phi 3.17 / \phi 4$	49-88	2600	8	2100	9	45
YJ48-10	12-45	10		49-88	2600	9	2200	10	50
YJ48-12	12-45	12		49-88	2700	10	2200	12	55
YJ48-16	12-45	15.5		49-88	2800	12	2300	15	60
YJ48-20	12-45	20		49-88	2800	14	2300	18	80
YJ48-25	12-45	20		49-88	2800	18	2450	22	130

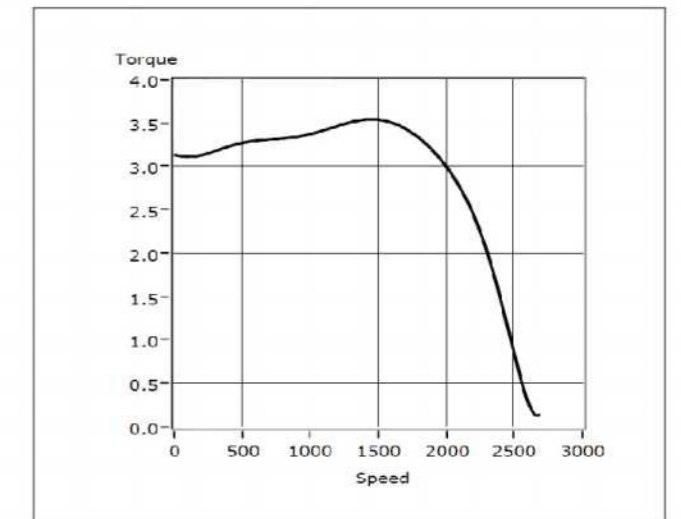
T-S 曲线

T-S Curve

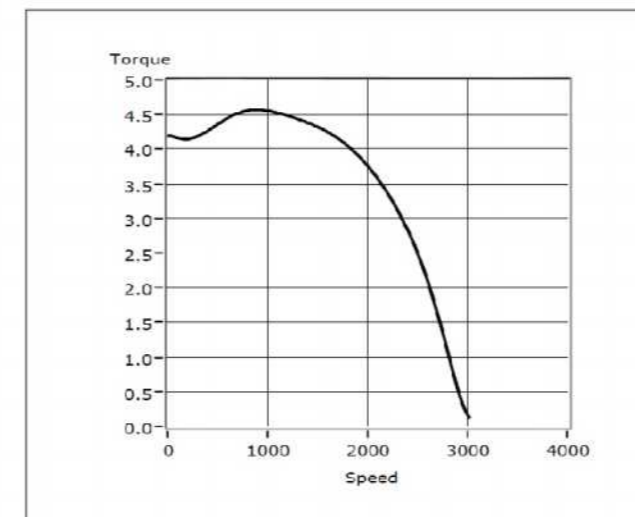
● YJ48-10



● YJ48-12

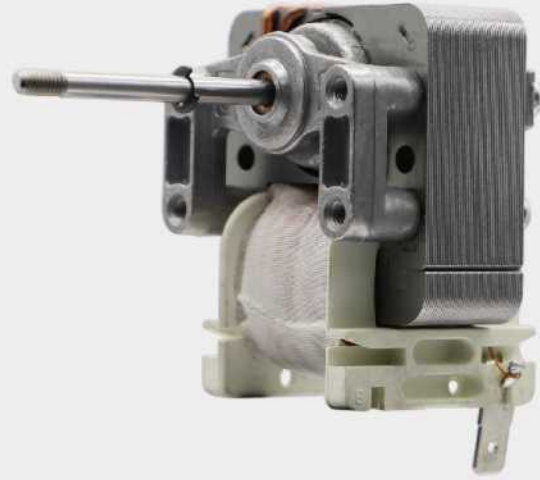


● YJ48-16



YJ48系列

YJ48 SERIES



性能参数

Technical Data

- 电压: 220-240V
- Voltage: 220-240v
- 频率: 50/60Hz
- Frequency: 50/60Hz
- 绝缘等级: H
- Insulation class: H
- 寿命: 1000小时以上(含油轴承)
- Life: more than 1000 hours (sleeve bearing)

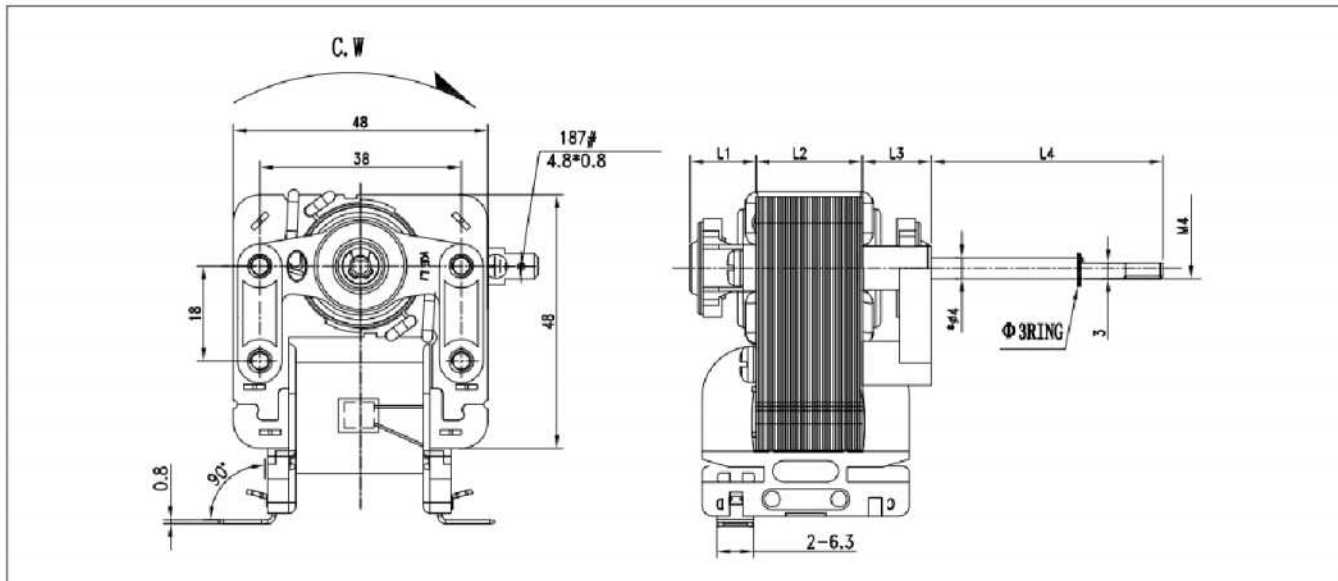
产品应用

Product Application

空气炸锅机
air fryer

外形尺寸

Dimensions



技术参数

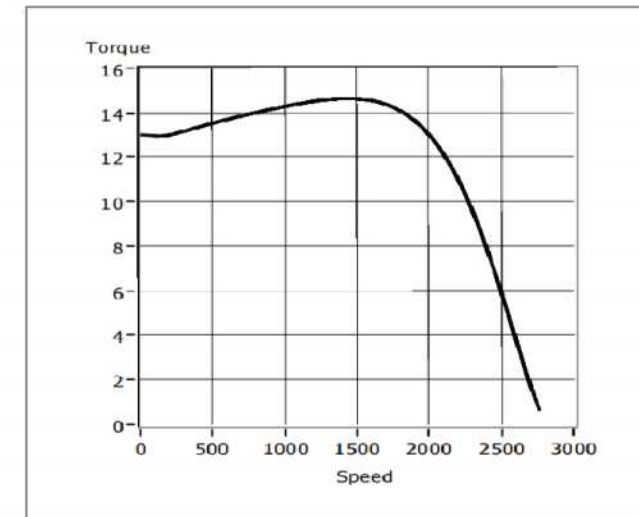
Technical Parameters

型号 Model	尺寸 /Dimensions				参考性能 /Reference Performance				
	L1	L2	L3	L4	空载转速 No-load (RPM)	空载功率 Free power (W)	负载转速 On load speed (RPM)	负载功率 On load power (W)	负载转矩 On load Tor (g.cm)
YJ48-16	12.5	15.5	13.5	30-60	2800/3300	18	2200	22	120
YJ48-20	12.5	20	13.5	30-60	2800/3400	23	2400	26	160

T-S 曲线

T-S Curve

- YJ48-20



YJ55系列 YJ55 SERIES



性能参数

Technical Data

- 电压:100-240V
- 频率:50/60Hz
- 绝缘等级:E/B/F/H
- 寿命:5000小时以上(含油轴承)
- Voltage: 100-240V
- Frequency: 50/60Hz
- Insulation class: E/B/F/H
- Life: more than 5000 hours (sleeve bearing)

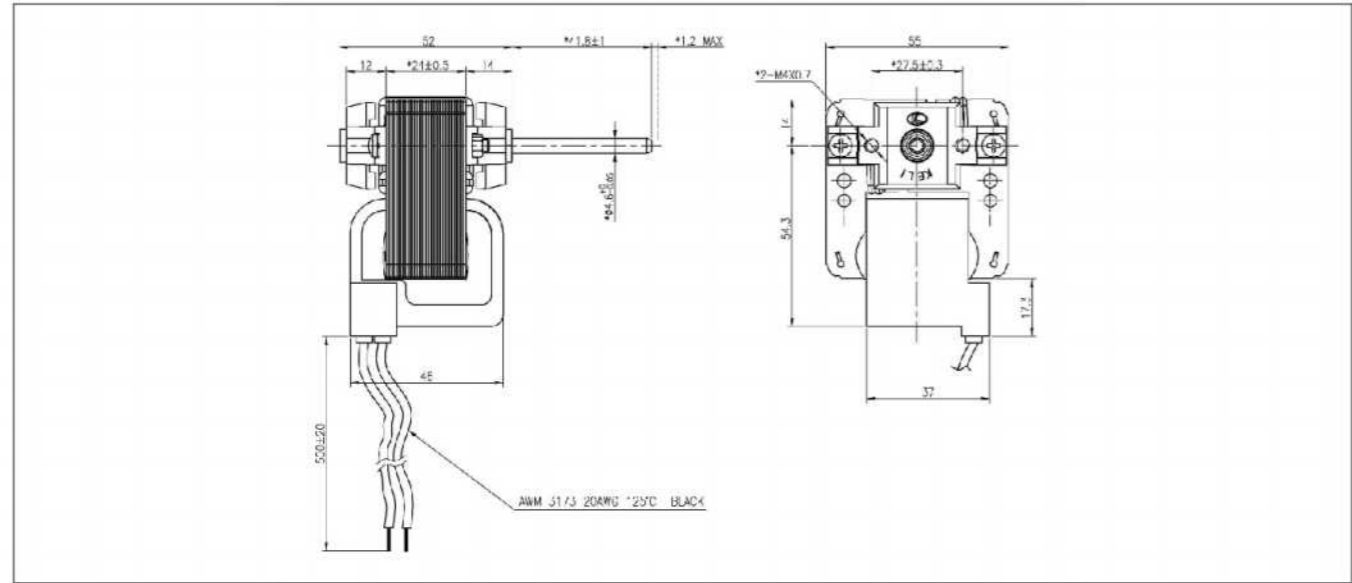
产品应用

Product Application

- 冰箱 refrigerator
- 冰柜 freezer

外形尺寸

Dimensions



技术参数

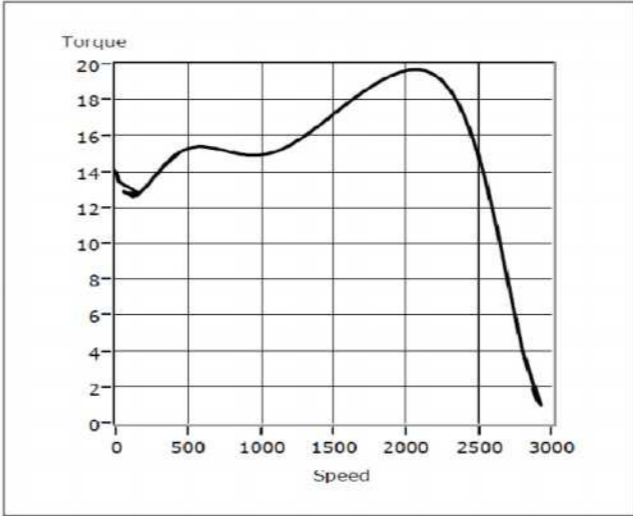
Technical Parameters

型号 Model	参考性能 /Reference Performance				
	空载转速 No-load (RPM)	空载功率 Free power (W)	负载转速 On load speed (RPM)	负载功率 On load power (W)	负载转矩 On load Tor (g.cm)
YJ55-24	2600	18	2200	22	180

T-S 曲线

T-S Curve

● YJ55-24



YJ58系列

YJ58 SERIES



性能参数

Technical Data

- 电压: 100-240V
- Voltage: 100-240 v
- 频率: 50/60Hz
- Frequency: 50/60Hz
- 绝缘等级: A/E/B/F/H
- Insulation class: A/E/B/F/H
- 寿命: 3000小时以上 (含油轴承)
- Life: more than 3000 hours (sleeve bearing)
- 5000小时以上 (滚珠轴承)
- more than 5000 hours (ball bearing)

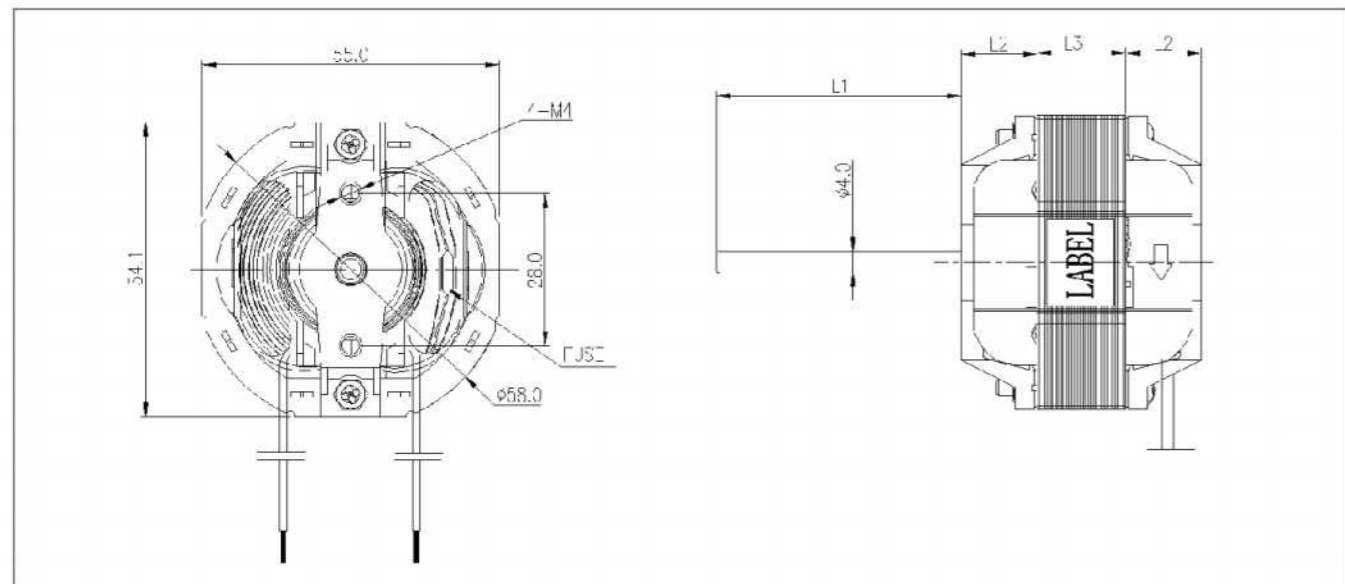
产品应用

Product Application

- 排风扇
exhaust fan
- 暖风机
heater

外形尺寸

Dimensions



技术参数

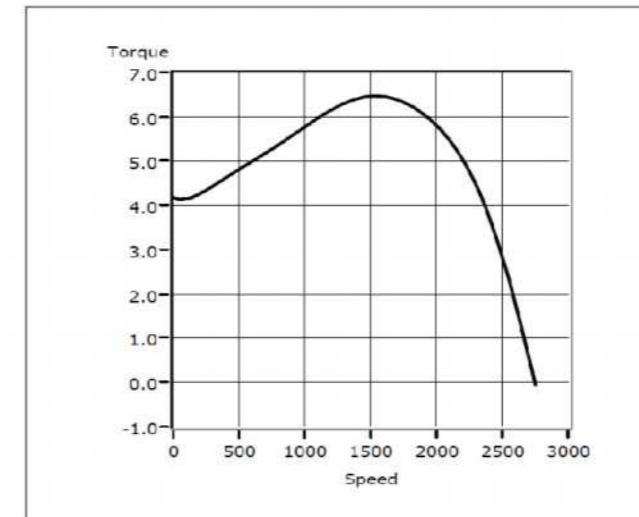
Technical Parameters

型号 Model	尺寸 / Dimensions			参考性能 / Reference Performance				
	L1	L2	L3	空载转速 No-load (RPM)	空载功率 Free power (W)	负载转速 On load speed (RPM)	负载功率 On load power (W)	负载转矩 On load Tor (g.cm)
YJ58-10	10-60	13.0 Or 13.5 Or 14.0	10.5	2800/3400	10	2000	12	50
YJ58-12	10-60	13.0 Or 13.5 Or 14.0	12.5	2800/3400	12	2050	15	70
YJ58-16	10-60	13.0 Or 13.5 Or 14.0	16.5	2800/3400	17	2200	22	100
YJ58-20	10-60	13.0 Or 13.5 Or 14.0	20.5	2800/3400	22	2300	24	130
YJ58-25	10-60	13.0 Or 13.5 Or 14.0	25.5	2800/3400	28	2400	28	150
YJ58-30	10-60	13.0 Or 13.5 Or 14.0	30.5	2800/3400	35	2350	32	190
YJ58-35	10-60	13.0 Or 13.5 Or 14.0	35.5	2800/3400	40	2200	35	210

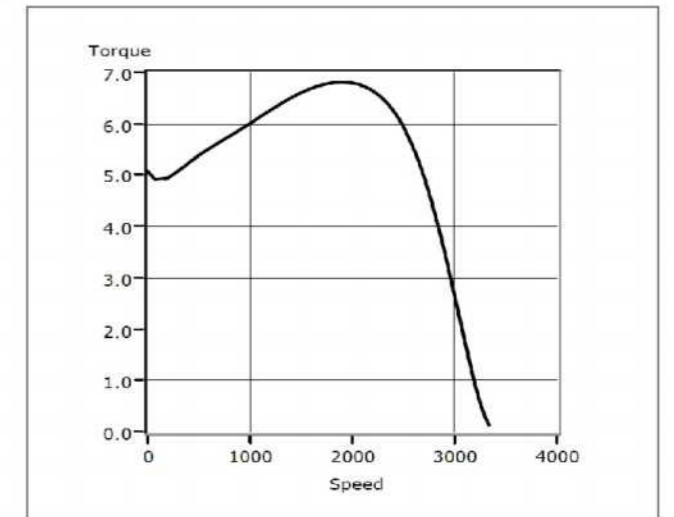
T-S 曲线

T-S Curve

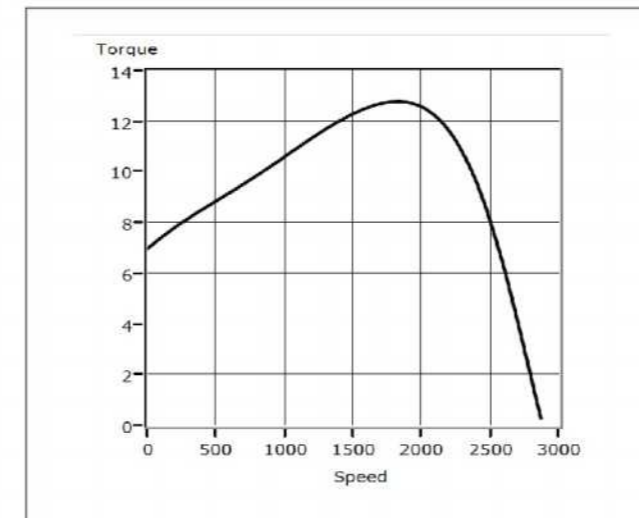
● YJ58-10



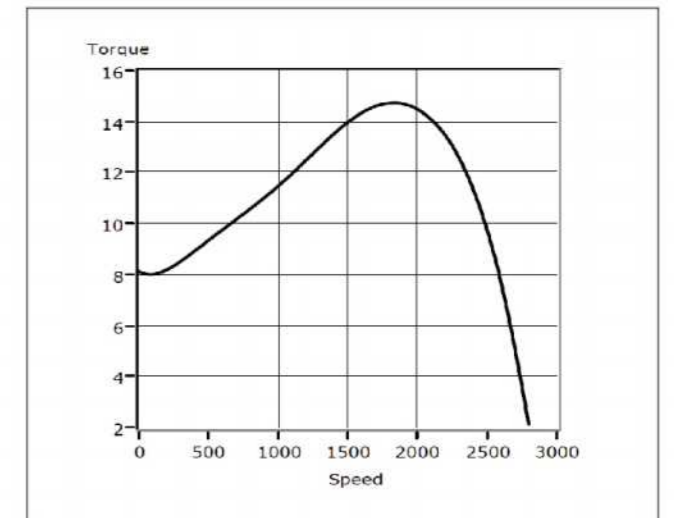
● YJ58-12



● YJ58-16



● YJ58-20



YJ61系列

YJ61 SERIES



性能参数

Technical Data

- 电压:100-400V
- Voltage: 100-400v
- 频率:50/60Hz
- Frequency: 50/60Hz
- 绝缘等级:H/N
- Insulation class: H/N
- 寿命:3000小时以上(含油轴承)
- Life: more than 3000 hours (sleeve bearing)
- 6000小时以上(滚珠轴承)
- more than 6000 hours (ball bearing)

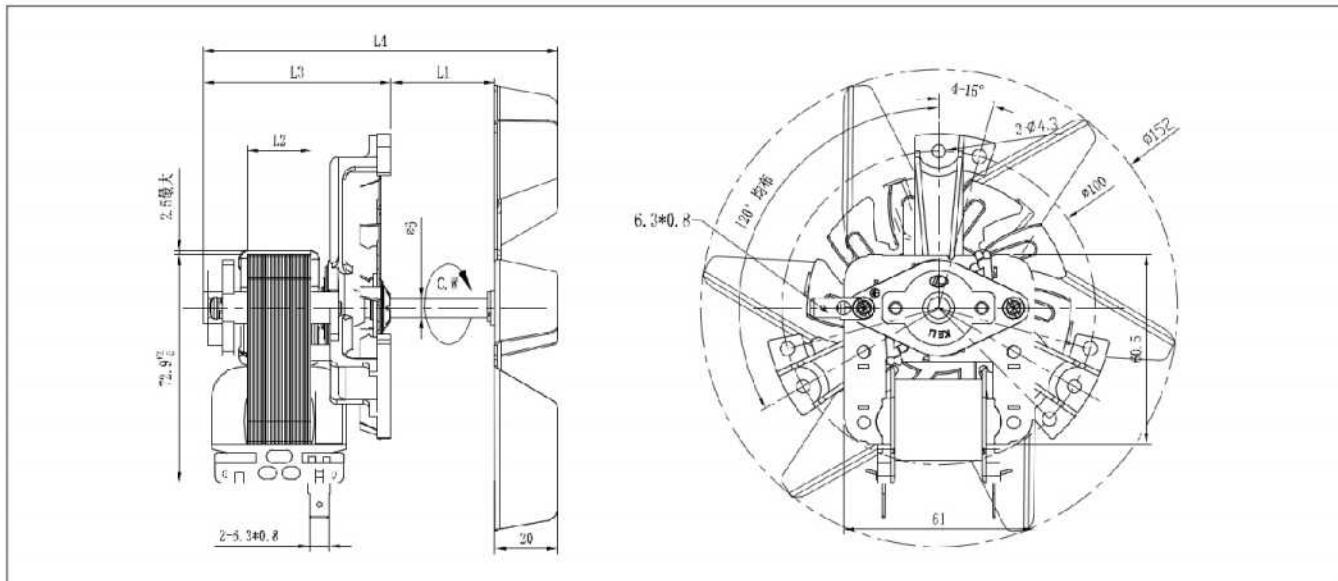
产品应用

Product Application

烤箱
oven

外形尺寸

Dimensions



技术参数

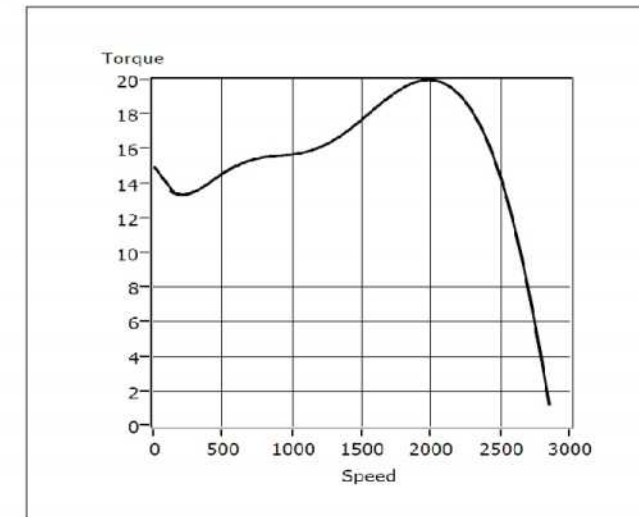
Technical Parameters

型号 Model	尺寸 /Dimensions				参考性能 /Reference Performance				
	L1	L2	L3	L4	空载转速 No-load (RPM)	空载功率 Free power (W)	负载转速 On load speed (RPM)	负载功率 On load power (W)	负载转矩 On load Tor (g.cm)
YJ61-16	15-45	15.5	50	90-120	2600/3200	21	1200	28	220
YJ61-20	15-40	20	60	95-120	2600/3200	25	1500	32	260

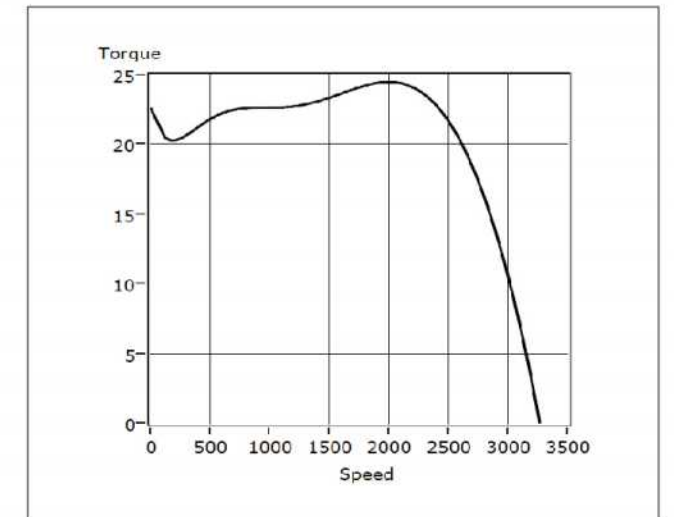
T-S 曲线

T-S Curve

● YJ61-16

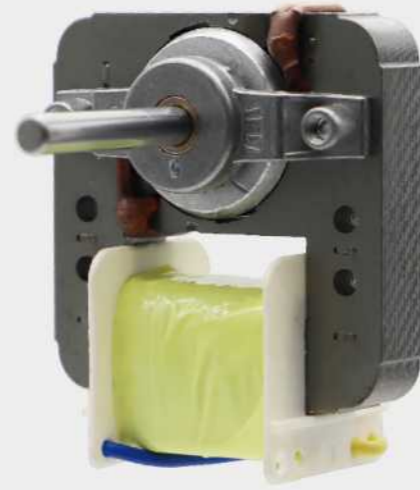


● YJ61-20



YJ61系列

YJ61 SERIES



性能参数

Technical Data

- 电压: 100-240V
- Voltage: 100-240v
- 频率: 50/60Hz
- Frequency: 50/60Hz
- 绝缘等级: A/E/B/F/H
- Insulation class: A/E/B/F/H
- 寿命: 3000小时以上(含油轴承)
- Life: more than 3000 hours (sleeve bearing)
- 5000小时以上(滚珠轴承)
- more than 5000 hours (ball bearing)

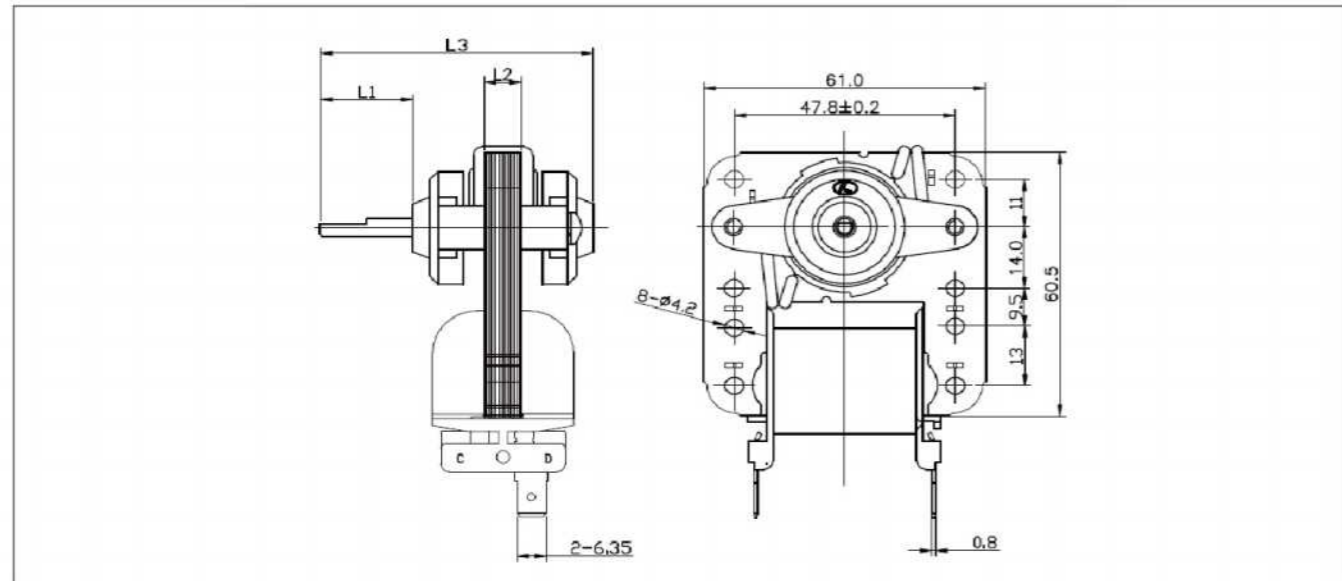
产品应用

Product Application

- 风扇
fan
- 换气扇
ventilation fan

外形尺寸

Dimensions



技术参数

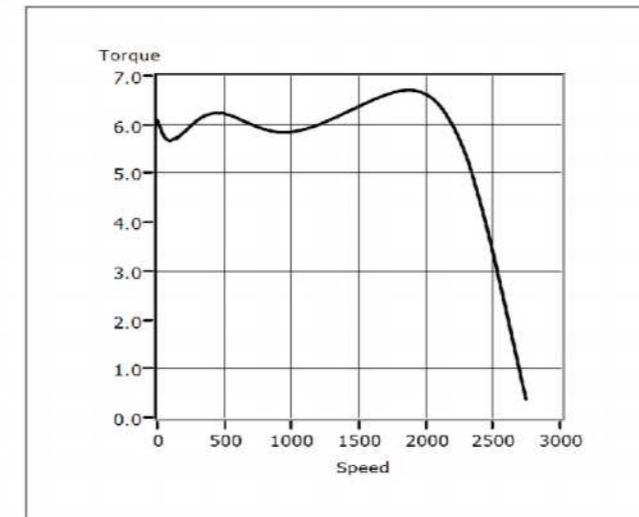
Technical Parameters

型号 Model	尺寸 / Dimensions			参考性能 / Reference Performance				
	L1	L2	L3	空载转速 No-load (RPM)	空载功率 Free power (W)	负载转速 On load speed (RPM)	负载功率 On load power (W)	负载转矩 On load Tor (g.cm)
YJ61-08	20-45	8	50-100	2800/3200	6	1600	8	60
YJ61-09	20-45	9.5	50-100	2800/3200	8	1800	10	90
YJ61-10	20-45	10.5	50-100	2800/3200	9	2000	12	120
YJ61-12	20-45	12	50-100	2800/3200	12	2100	15	140
YJ61-14	20-45	13.5	50-100	2800/3200	13	2200	18	180

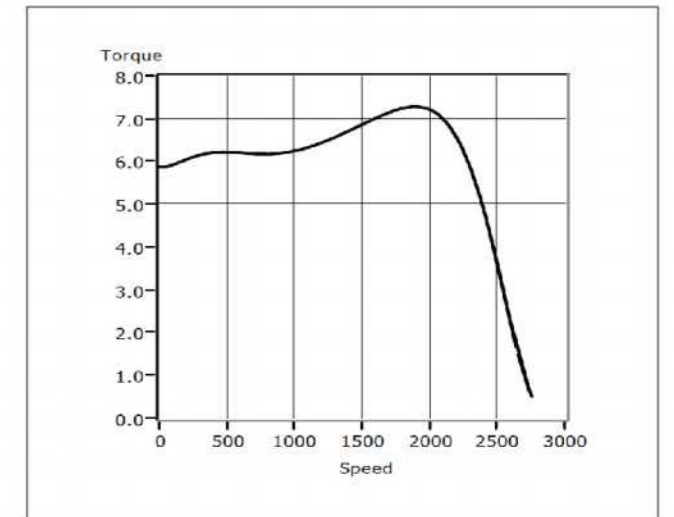
T-S 曲线

T-S Curve

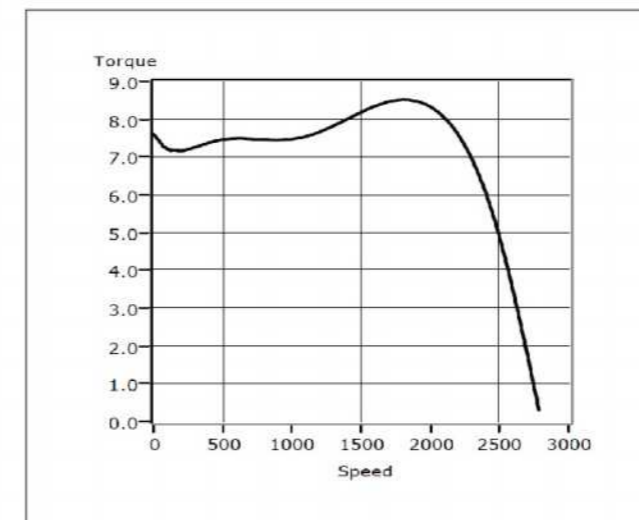
● YJ61-08



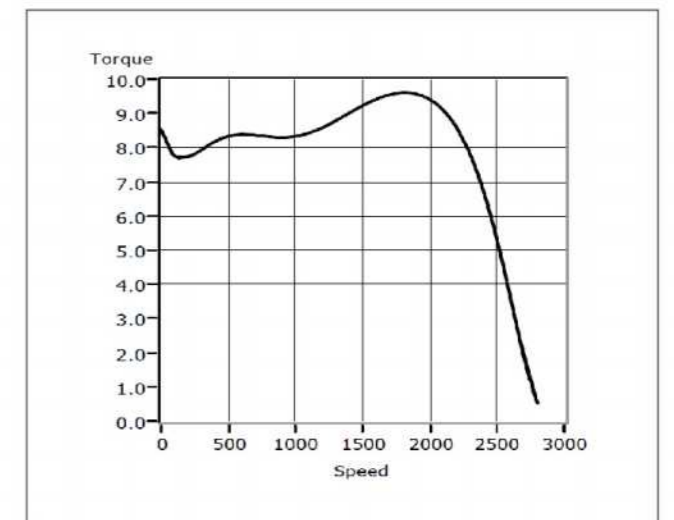
● YJ61-09



● YJ61-10

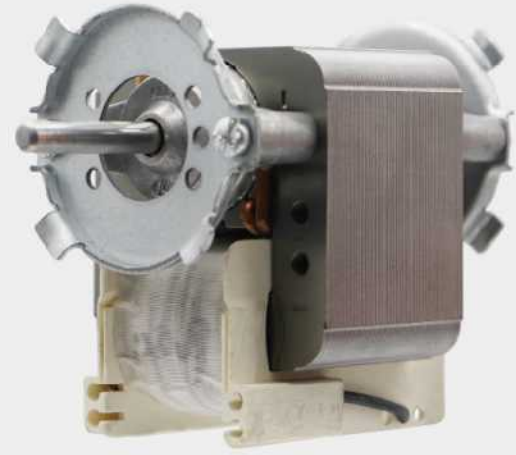


● YJ61-12



YJ61系列

YJ61 SERIES



性能参数

Technical Data

- 电压: 100-240V
- Voltage: 100-240V
- 频率: 50/60Hz
- Frequency: 50/60Hz
- 绝缘等级: B/F/H
- Insulation class: B/F/H
- 寿命: 3000小时以上 (含油轴承)
- Life: more than 3000 hours (sleeve bearing)
- 10000小时以上 (滚珠轴承)
- more than 10000 hours (ball bearing)

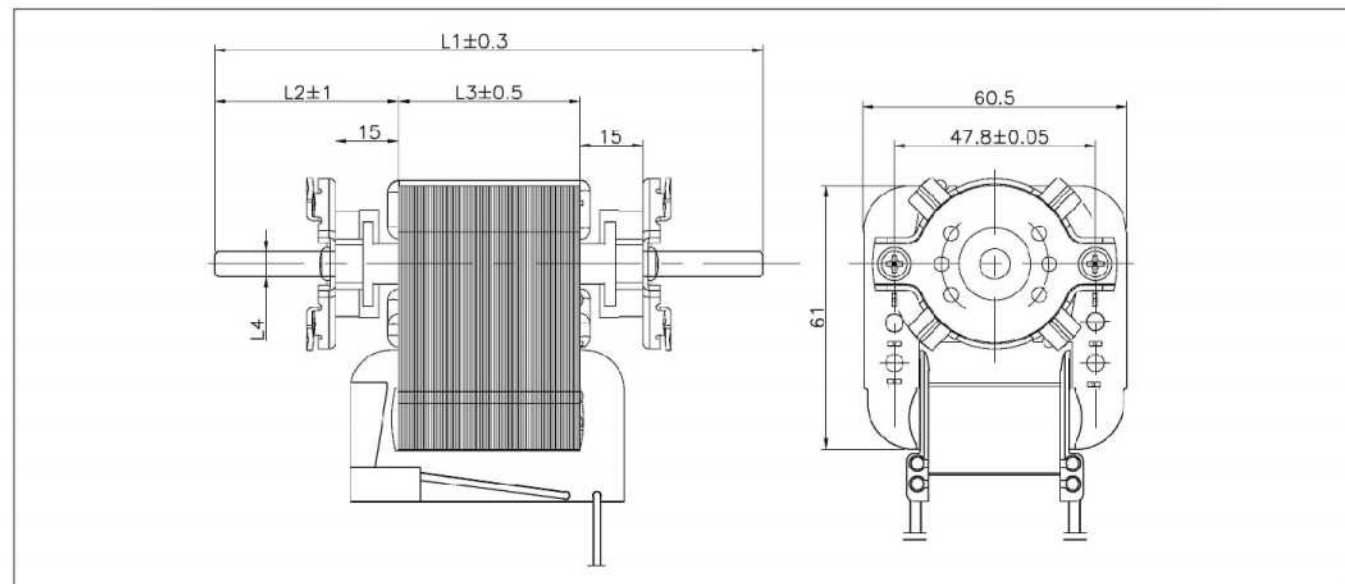
产品应用

Product Application

- 风幕
air curtain
- 壁炉
fireplace

外形尺寸

Dimensions



技术参数

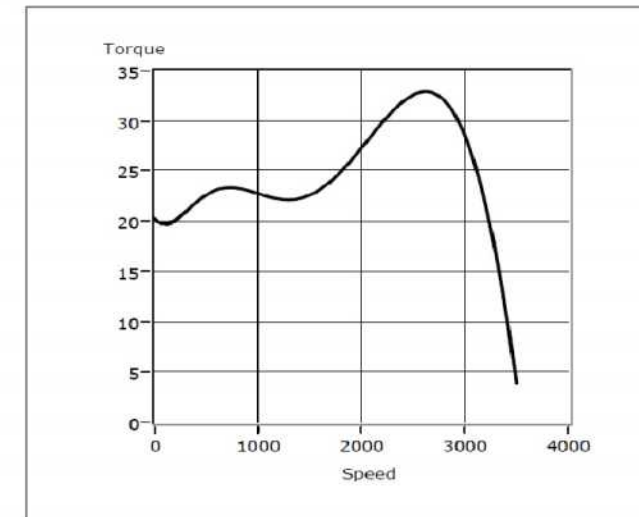
Technical Parameters

型号 Model	尺寸 /Dimensions				参考性能 /Reference Performance					
	L1	L2	L3	L4	空载转速 No-load (RPM)	空载功率 Free power (W)	负载转速 On load speed (RPM)	负载功率 On load power (W)	负载转矩 On load Tor (g.cm)	风速 air speed (m/s) Min.
YJ61-20	20.5-40.5	20	49.5	∅5	2800/3200	25	800-1000	35	240	6
YJ61-25	20.5-40.5	20	49.5	∅5.53	2800/3200	30	1200-1600	40	360	4.5
YJ61-30	20.5-40.5	20	49.5	∅6	2800/3200	35	1400-1800	45	500	5
YJ61-40	135	47.3	40.5	∅6.35	2800/3200	65	2000-2400	80	700	6

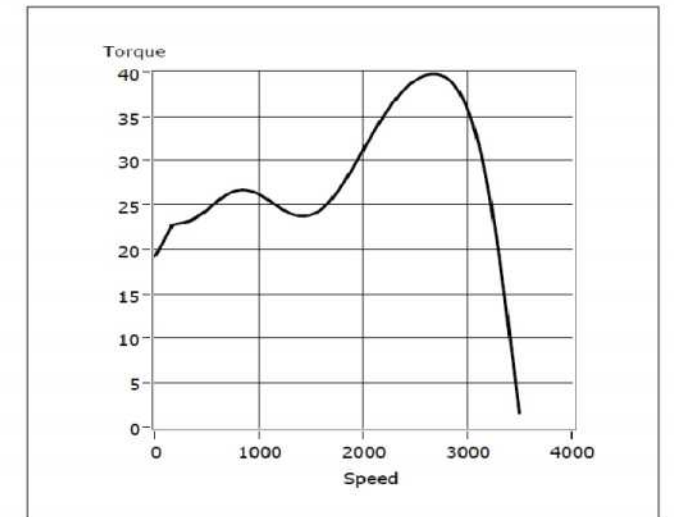
T-S 曲线

T-S Curve

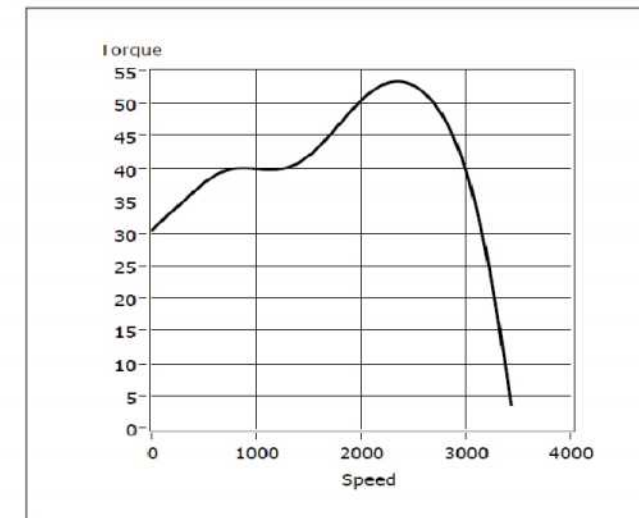
● YJ61-20



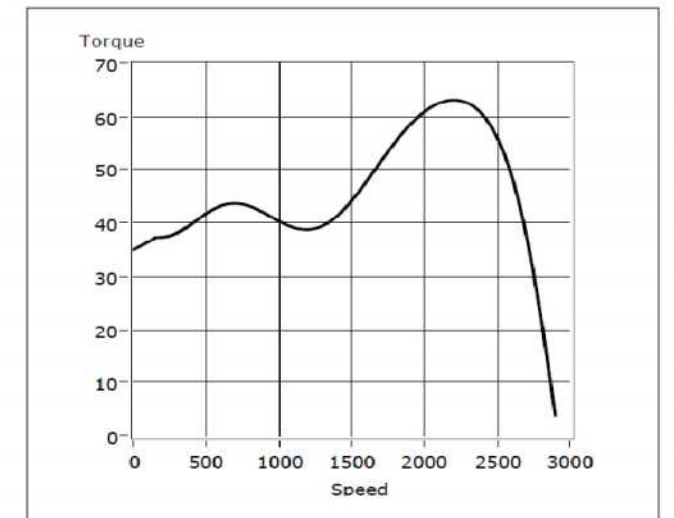
● YJ61-25



● YJ61-30

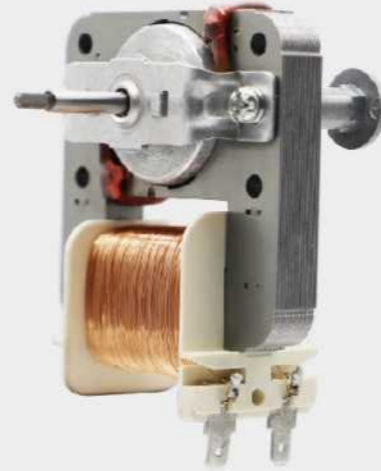


● YJ61-40



YJ62系列

YJ62 SERIES



性能参数

Technical Data

- 电压: 100-240V
- Voltage: 100-240v
- 频率: 50/60Hz
- Frequency: 50/60Hz
- 绝缘等级: A/E/B/F/H
- Insulation class: A/E/B/F/H
- 寿命: 3000小时以上(含油轴承)
- Life: more than 3000 hours (sleeve bearing)

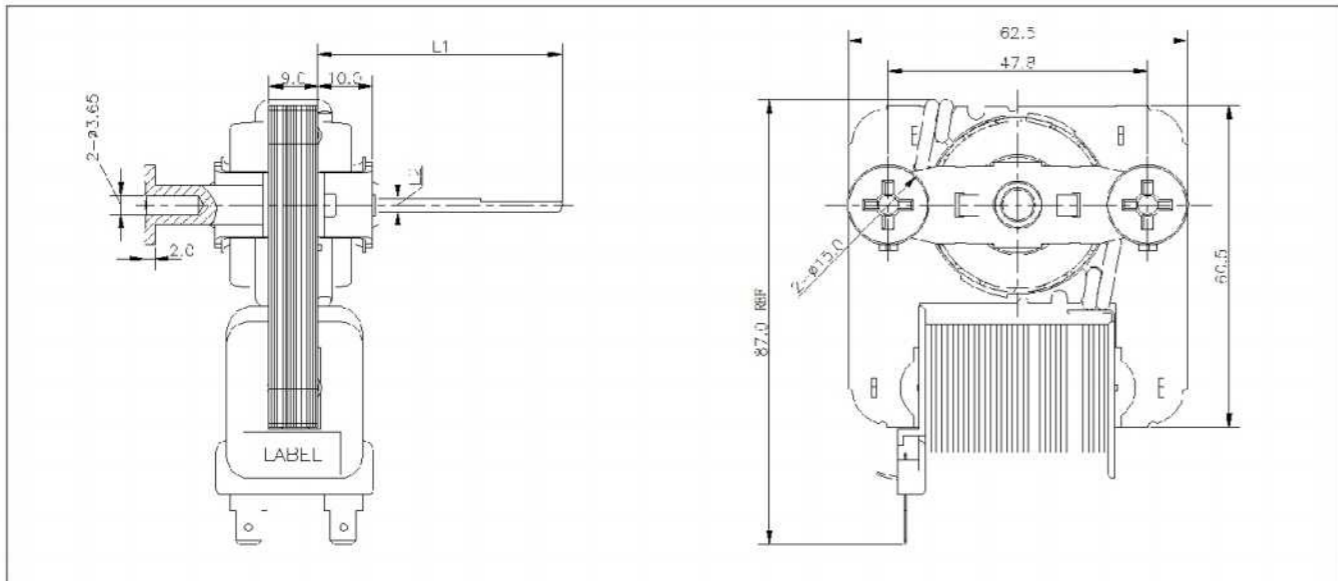
产品应用

Product Application

微波炉
microwave oven

外形尺寸

Dimensions



技术参数

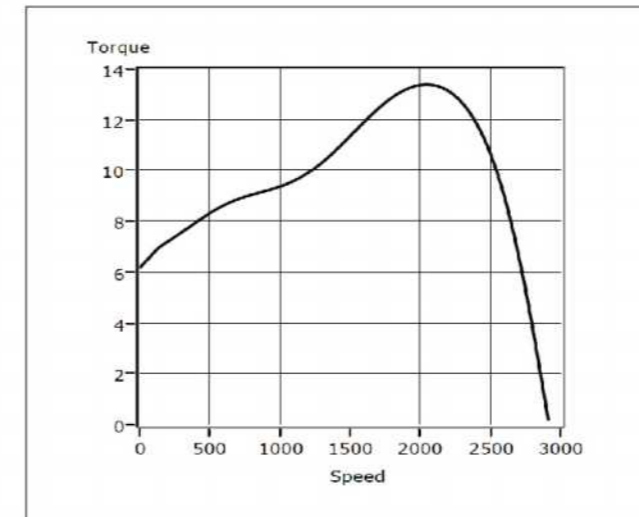
Technical Parameters

型号 Model	尺寸 / Dimensions		参考性能 / Reference Performance				
	L1	L2	空载转速 No-load (RPM)	空载功率 Free power (W)	负载转速 On load speed (RPM)	负载功率 On load power (W)	负载转矩 On load Tor (g.cm)
YJ55-24	10-60	φ2.5 Or φ3.17	2800/3200	12	2500	15	100

T-S 曲线

T-S Curve

● YJ62-09



YJ63系列

YJ63 SERIES



性能参数

Technical Data

- 电压:100-240V
- Voltage: 100-240v
- 频率:50/60Hz
- Frequency: 50/60Hz
- 绝缘等级:B/F/H
- Insulation class: B/F/H
- 寿命:3000小时以上(含油轴承)
- Life: more than 3000 hours (sleeve bearing)
- 10000小时以上(滚珠轴承)
- more than 10000 hours (ball bearing)

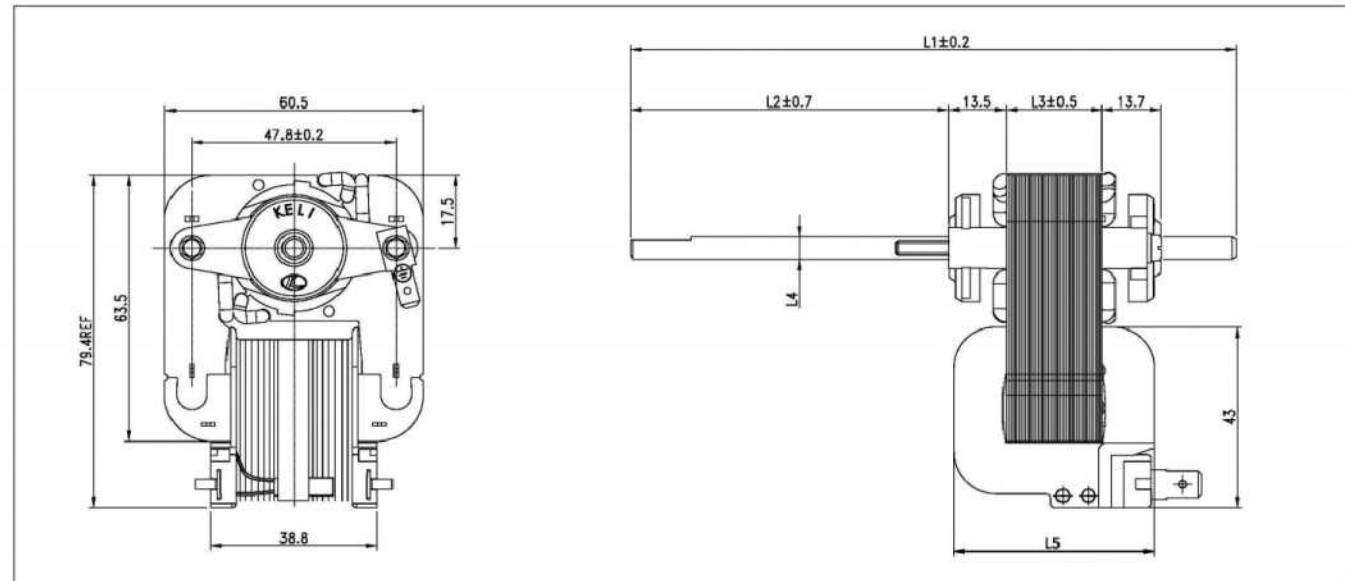
产品应用

Product Application

抽水泵
water pump

外形尺寸

Dimensions



技术参数

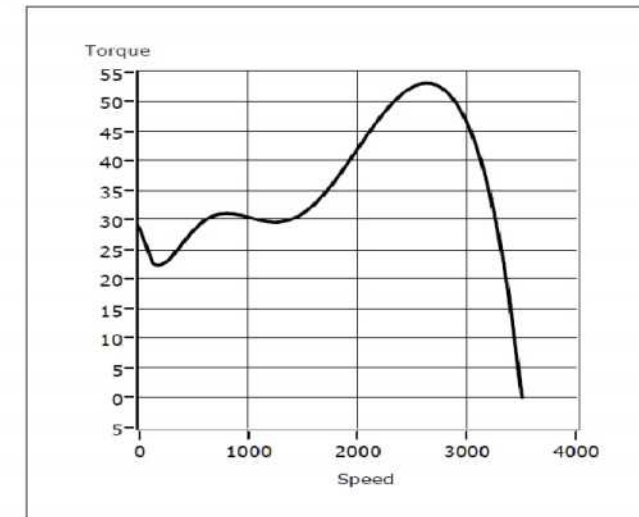
Technical Parameters

型号 Model	尺寸 /Dimensions					参考性能 /Reference Performance					
	L1	L2	L3	L4	L5	空载转速 No-load (RPM)	空载功率 Free power (W)	负载转速 On load speed (RPM)	负载功率 On load power (W)	负载转矩 On load Tor (g.cm)	最大扬程 (m) Maximum
YJ63-22	142	76	22.5	∅5	47	2800/3200	45	2500	52	580	580
YJ63-30	150	76	30.5	∅5.53、∅6	55	2800/3200	62	2600	70	630	630

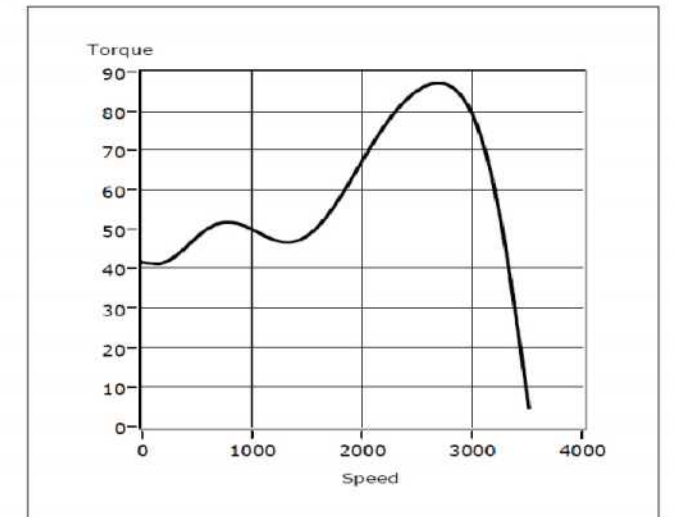
T-S 曲线

T-S Curve

● YJ63-22



● YJ63-30



YJ64系列

YJ64 SERIES



性能参数

Technical Data

- 电压: 100-240V
- Voltage of: 100-240V
- 频率: 50/60Hz
- Frequency: 50/60Hz
- 绝缘等级: F/H
- Insulation class: F/H
- 寿命: 3000小时以上 (含油轴承)
- Life: more than 3000 hours (sleeve bearing)
- 10000小时以上 (滚珠轴承)
- more than 10000 hours (ball bearing)

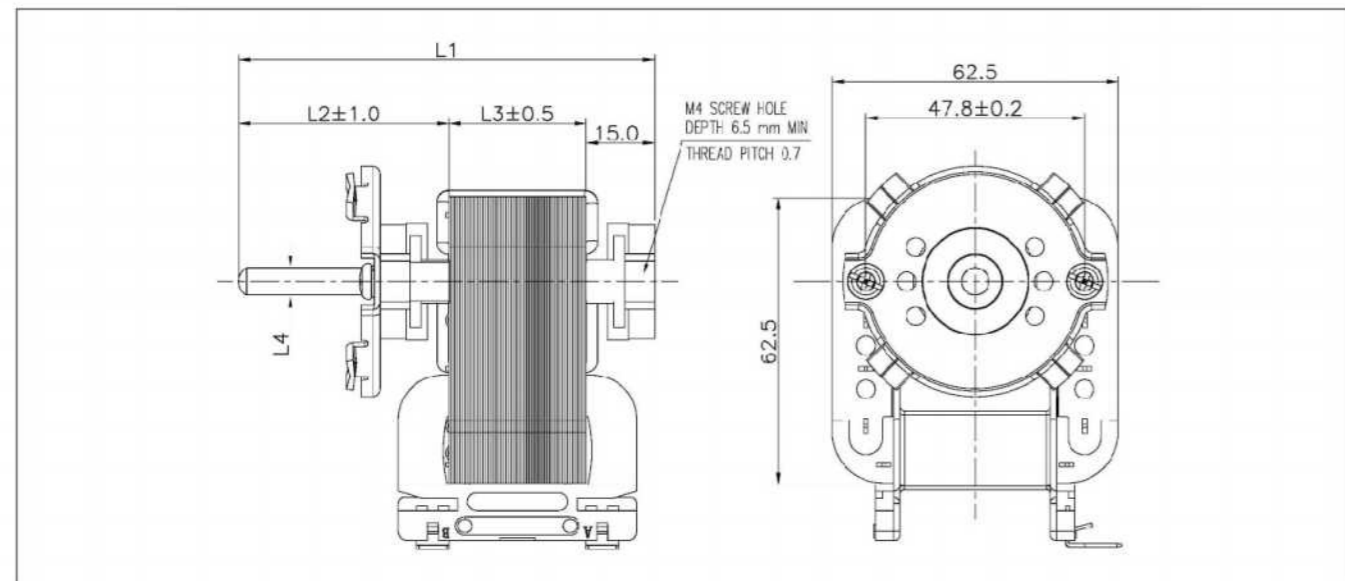
产品应用

Product Application

- 风幕
air curtain
- 壁炉
fireplace

外形尺寸

Dimensions



技术参数

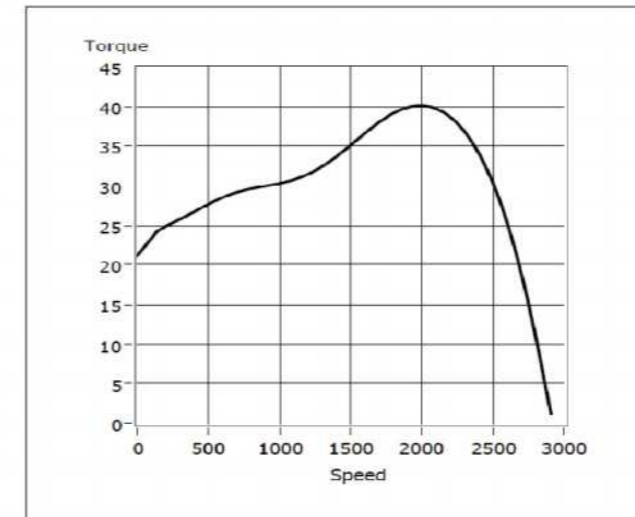
Technical Parameters

型号 Model	尺寸 / Dimensions				参考性能 / Reference Performance					
	L1	L2	L3	L4	空载转速 No-load (RPM)	空载功率 Free power (W)	负载转速 On load speed (RPM)	负载功率 On load power (W)	负载转矩 On load Tor (g.cm)	风速 air speed (m/s) Min.
YJ64-20	83	38	20	Ø5	2800/3200	18	1700-2100	28	220	5.5
YJ64-25	88	43	25		2800/3200	22	2000-2400	35	280	6
YJ64-30	93	48	30	Ø5.53	2800/3200	28	2200-2600	40	350	6.5
YJ64-35	98	53	35	Ø6	2800/3200	38	2400-2800	45	420	7.5
YJ64-38	101	56	38	Ø6.35	2800/3200	42	2600-3000	50	520	8
YJ64-51	114	69	51		2800/3200	49	2800-3200	60	760	9

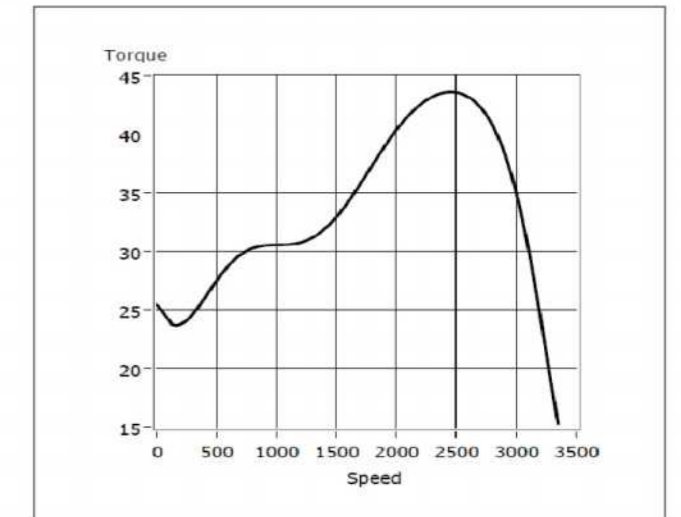
T-S 曲线

T-S Curve

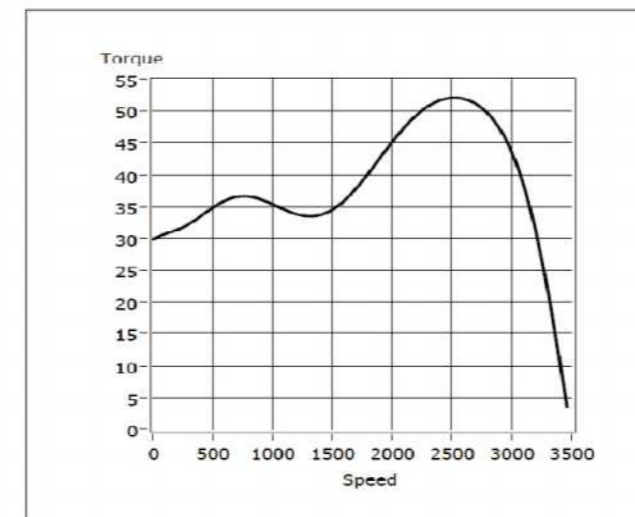
● YJ64-20



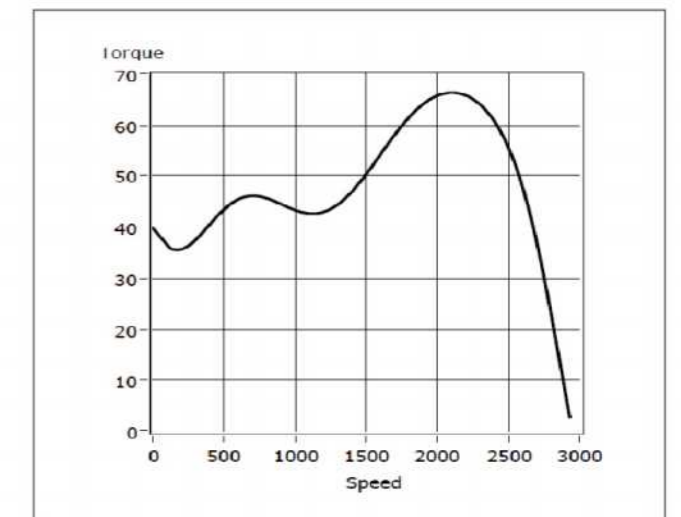
● YJ64-25



● YJ64-30



● YJ64-35



YJ64系列

YJ64 SERIES



性能参数

Technical Data

- 电压: 100-240V
- Voltage: 100-240v
- 频率: 50/60Hz
- Frequency: 50/60Hz
- 绝缘等级: B/F/H
- Insulation class: B/F/H
- 寿命: 5000小时以上 (滚珠轴承)
- Life: more than 5000 hours (sleeve bearing)

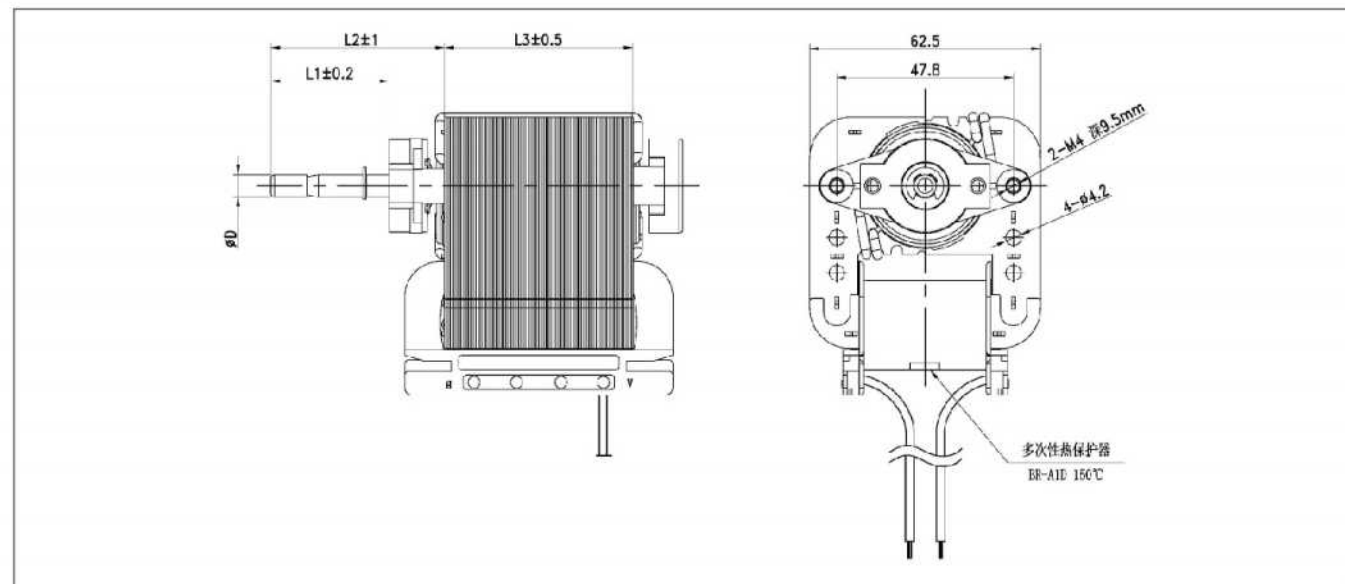
产品应用

Product Application

风幕
air curtain

外形尺寸

Dimensions



技术参数

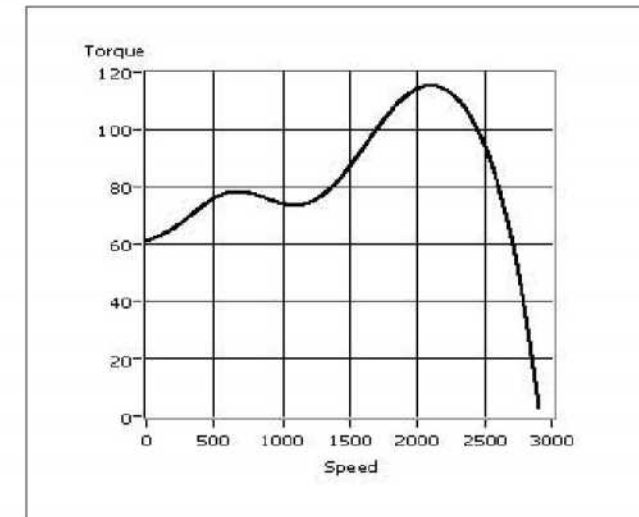
Technical Parameters

型号 Model	尺寸 /Dimensions				参考性能 /Reference Performance				
	L1	L2	L3	ΦD	空载转速 No-load (RPM)	空载功率 Free power (W)	负载转速 On load speed (RPM)	负载功率 On load power (W)	负载转矩 On load Tor (g.cm)
YJ64-51	20-50	35-65	51	5 or 6	2800 / 3200	85	2600	100	910

T-S 曲线

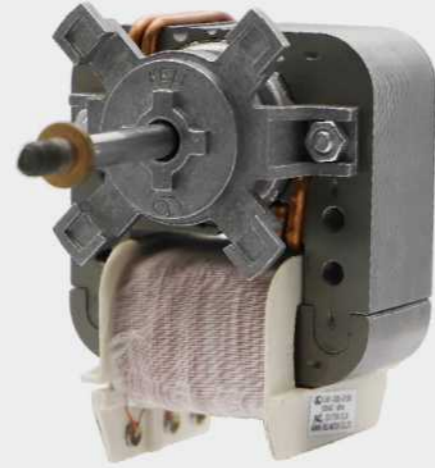
T-S Curve

● YJ64-51



YJ64系列

YJ64 SERIES



性能参数

Technical Data

- 电压: 100-400V
- Voltage: 100-400v
- 频率: 50/60Hz
- Frequency: 50/60Hz
- 绝缘等级: H/N
- Insulation class: H/N
- 寿命: 3000小时以上(含油轴承)
- Life: more than 3000 hours (sleeve bearing)
- 6000小时以上(滚珠轴承)
- more than 6000 hours (ball bearing)

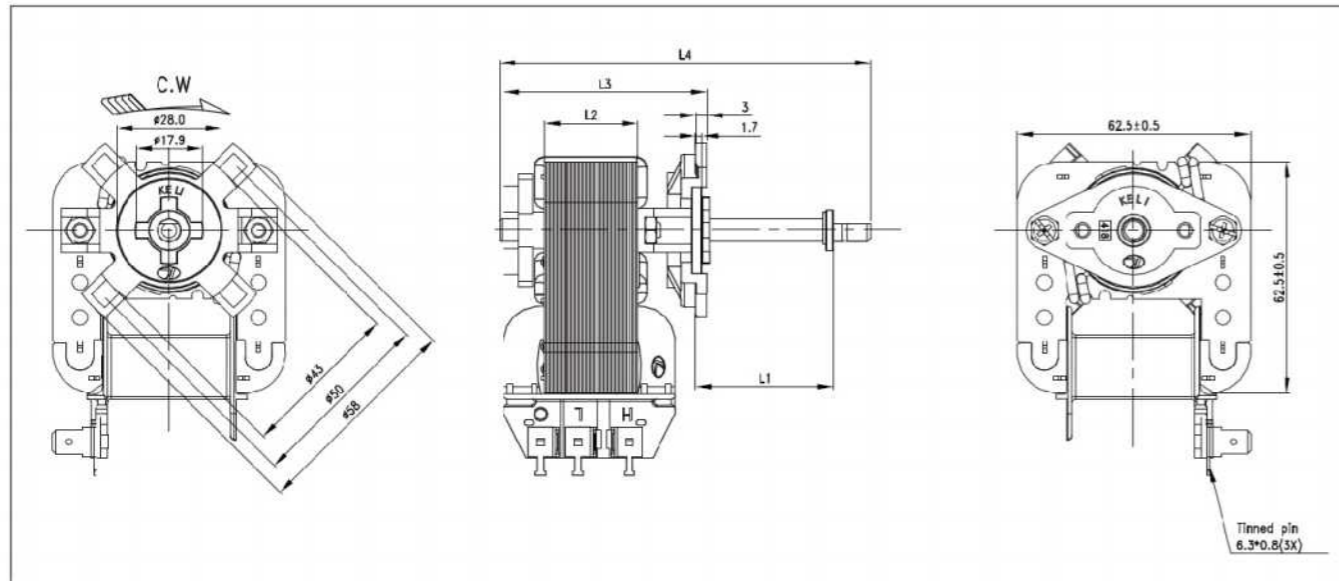
产品应用

Product application

烤箱
oven

外形尺寸

Dimensions



技术参数

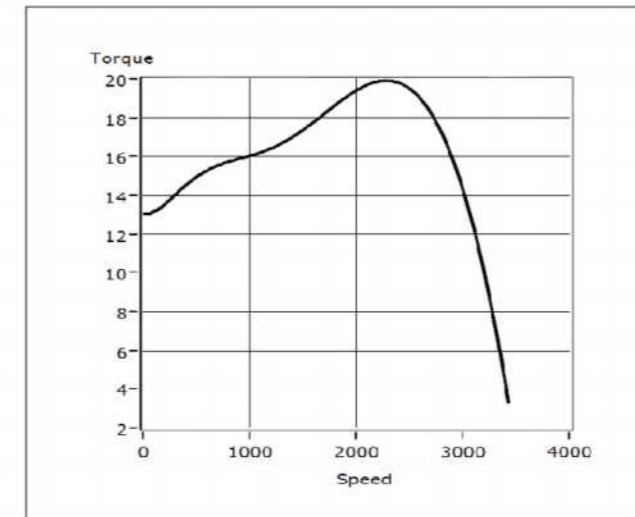
Technical Parameters

型号 Model	尺寸 /Dimensions				参考性能 /Reference Performance				
	L1	L2	L3	L4	空载转速 No-load (RPM)	空载功率 Free power (W)	负载转速 On load speed (RPM)	负载功率 On load power (W)	负载转矩 On load Tor (g.cm)
YJ64-16	15-45	15.5	40.5	65.5-110	2800/3200	18	1700	25	220
YJ64-20	15-50	20	45	70-110	2800/3200	22	1900	30	260
YJ64-25	15-45	25	55	75-110	2800/3200	28	2100	35	330

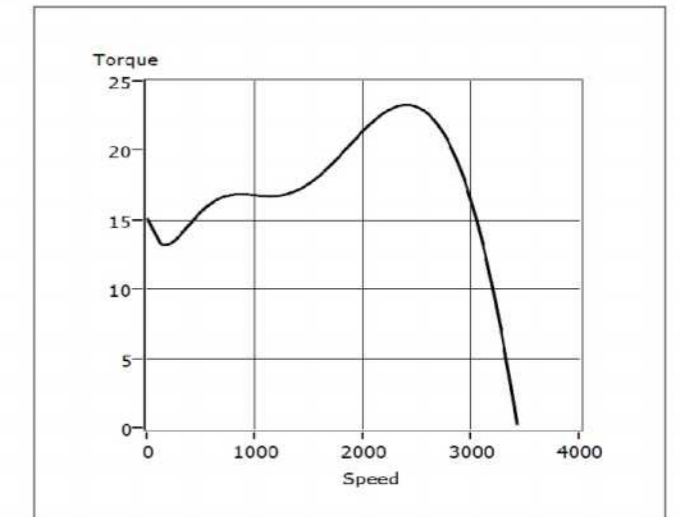
T-S 曲线

T-S Curve

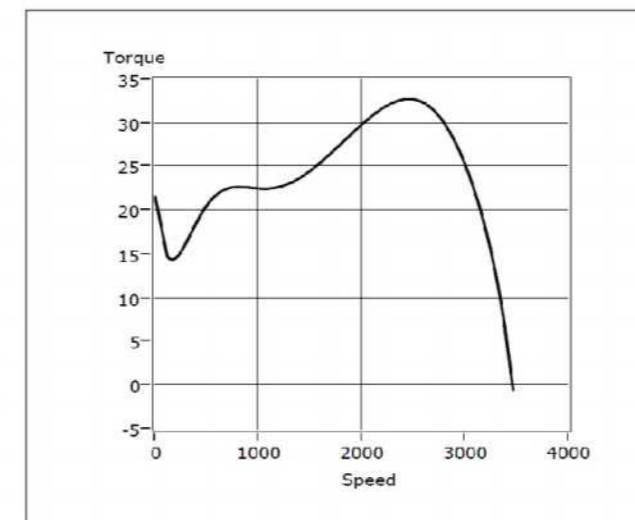
● YJ64-16



● YJ64-20



● YJ64-25



YJ64系列 YJ64 SERIES



性能参数

Technical Data

- 电压:100-240V
- 频率:50/60Hz
- 绝缘等级:B/F/H
- 寿命:5000小时以上(滚珠轴承)
- Voltage: 100-240v
- Frequency: 50/60Hz
- Insulation class: B/F/H
- Life: more than 5000 hours (ball bearing)

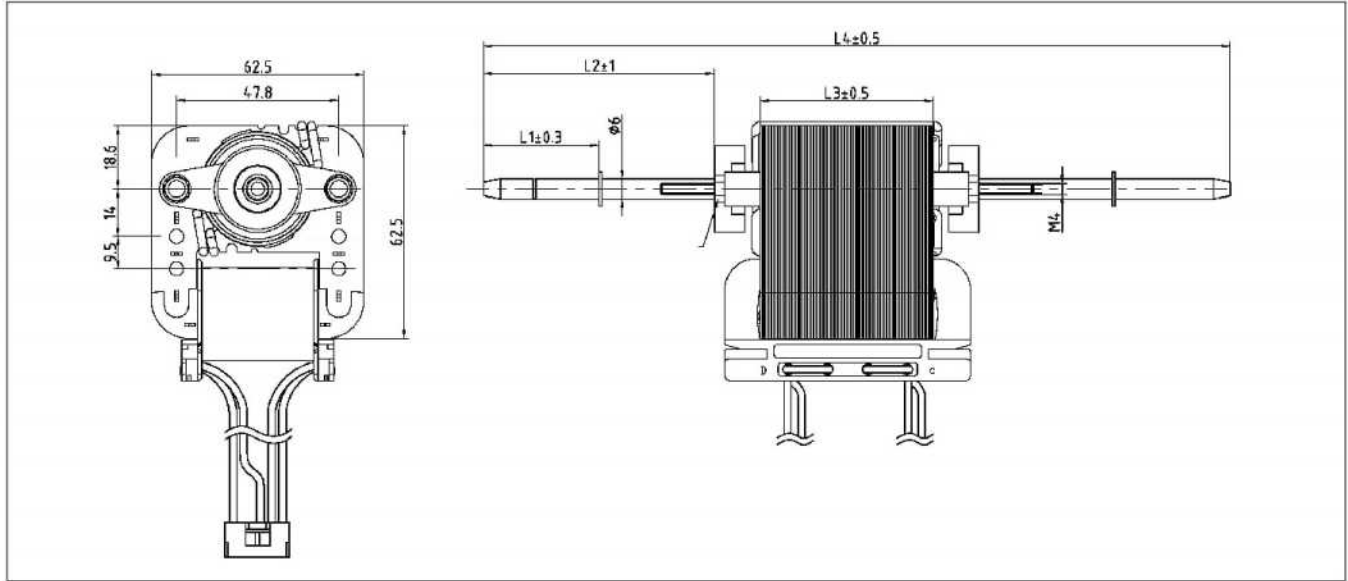
产品应用

Product application

空气净化器
air purifier

外形尺寸

Dimensions



技术参数

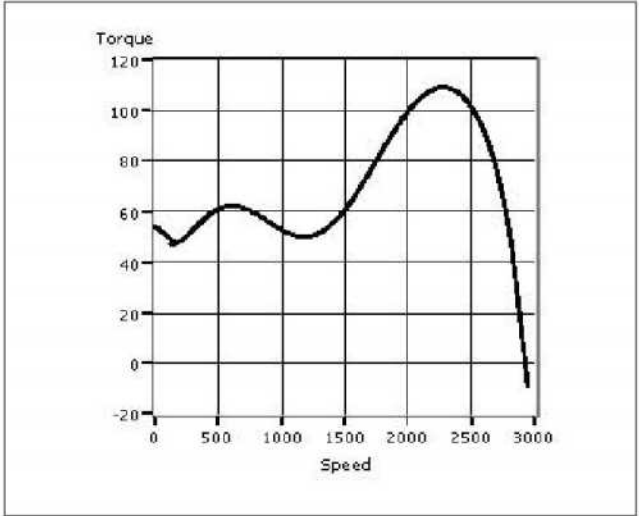
Technical Parameters

型号 Model	尺寸 /Dimensions				参考性能 /Reference Performance				
	L1	L2	L3	L4	空载转速 No-load (RPM)	空载功率 Free power (W)	负载转速 On load speed (RPM)	负载功率 On load power (W)	负载转矩 On load Tor (g.cm)
YJ64-51	15-50	40-80	51	200-300	2800/3200	85	2600	10	910

T-S 曲线

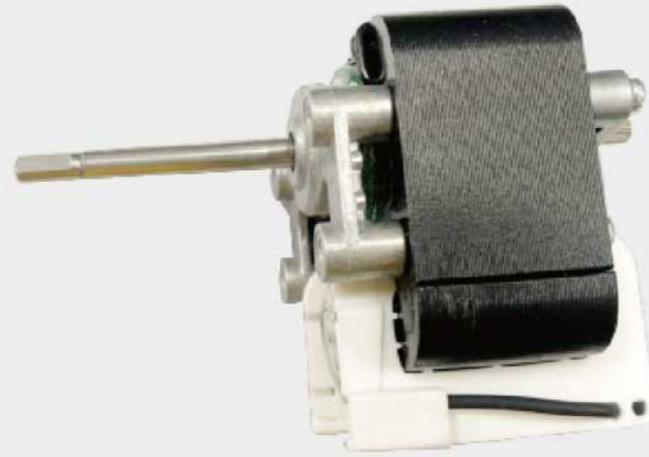
T-S Curve

● YJ64-51



YJ64系列

YJ64 SERIES



性能参数

Technical Data

- 电压: 100-240V
- Voltage of: 100-240V
- 频率: 50/60Hz
- Frequency: 50/60Hz
- 绝缘等级: B/F/H
- Insulation class: B/F/H
- 寿命: 3000小时以上(含油轴承)
- Life: more than 3000 hours (sleeve bearing)
- 10000小时以上(滚珠轴承)
- more than 10000 hours (ball bearing)

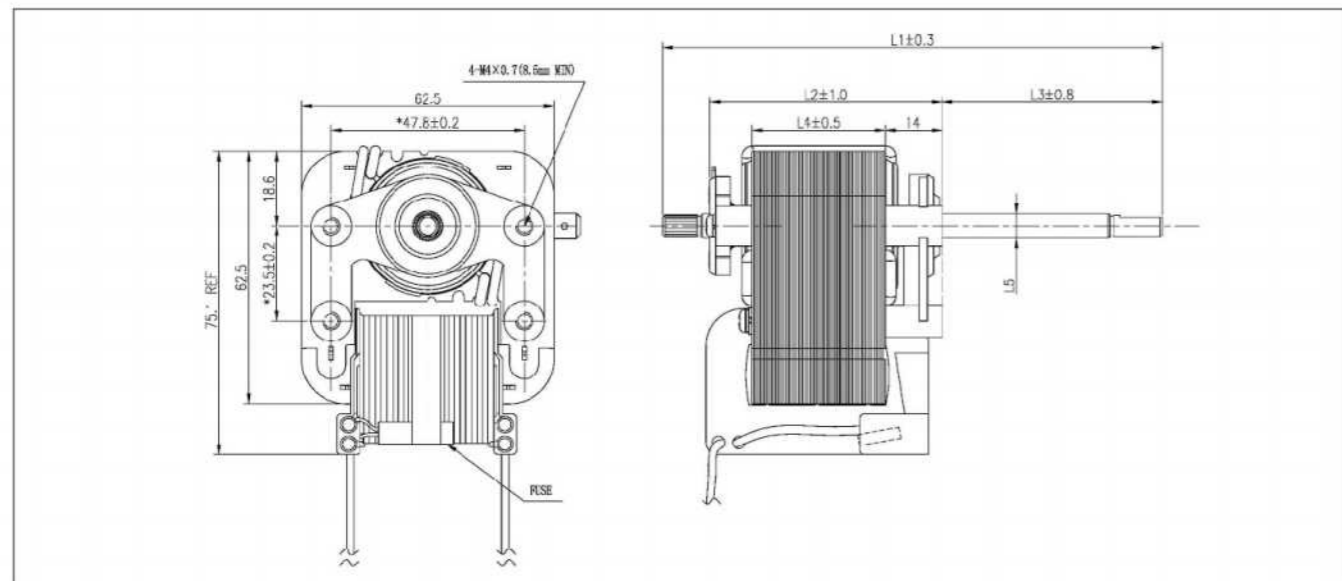
产品应用

Product application

抽水泵
water pump

外形尺寸

Dimensions



技术参数

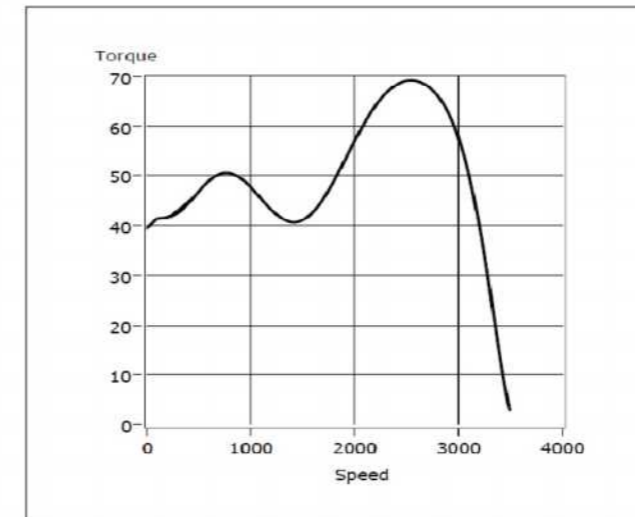
Technical Parameters

型号 Model	尺寸 / Dimensions					参考性能 / Reference Performance					
	L1	L2	L3	L4	L5	空载转速 No-load (RPM)	空载功率 Free power (W)	负载转速 On load speed (RPM)	负载功率 On load power (W)	负载转矩 On load Tor (g.cm)	负载转矩 On load Tor (g.cm)
YJ64-30	122	54.4	52	30	Ø5 Ø5.53、Ø6	2800/3200	51	2550	60	610	6.5
YJ64-33	125	57.4	55	33		2800/3200	55	2600	65	650	7
YJ64-35	127	59.4	57	35.5		2800/3200	59	2600	68	680	7.5

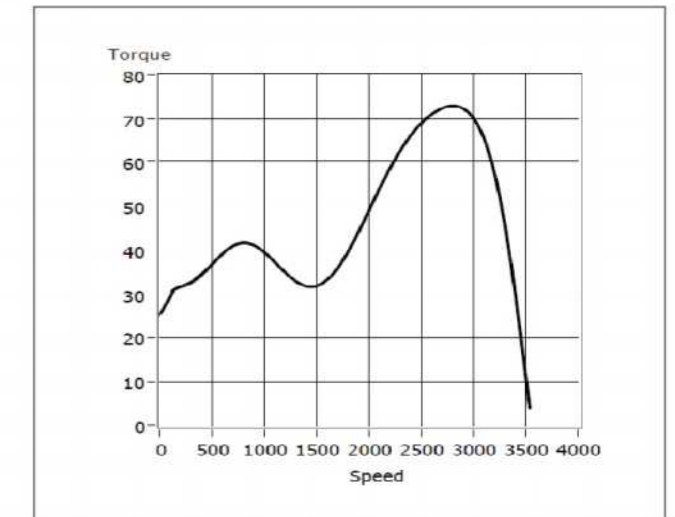
T-S 曲线

T-S Curve

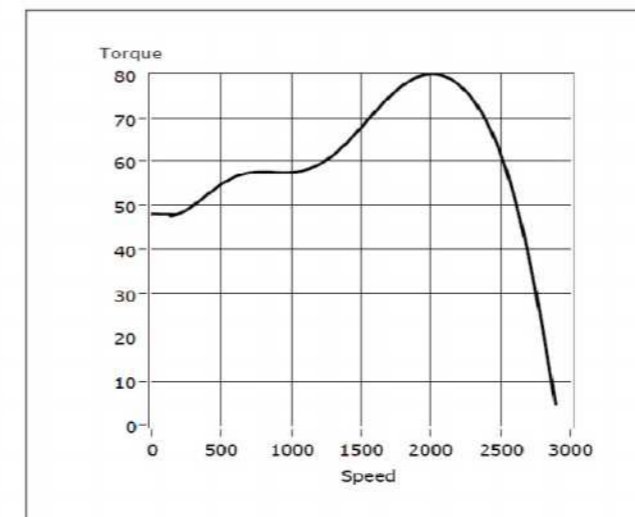
● YJ64-30



● YJ64-33

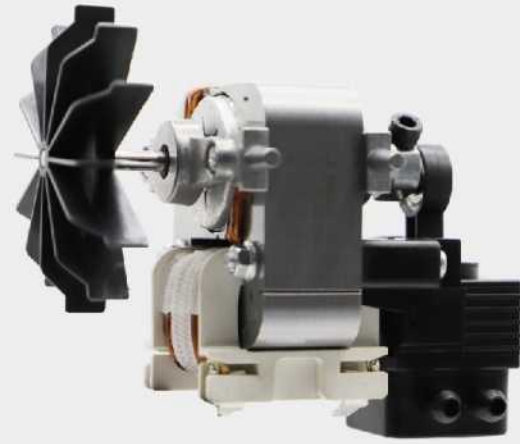


● YJ64-35



YJ64系列

YJ64 SERIES



性能参数

Technical Data

- 电压:100-240V
- Voltage of: 100-240V
- 频率:50/60Hz
- Frequency: 50/60Hz
- 绝缘等级:B/F/H
- Insulation class: B/F/H
- 寿命:1000小时以上(含油轴承)
- Life: more than 1000 hours (sleeve bearing)
- 2000小时以上(滚珠轴承)
- more than 2000 hours (ball bearing)

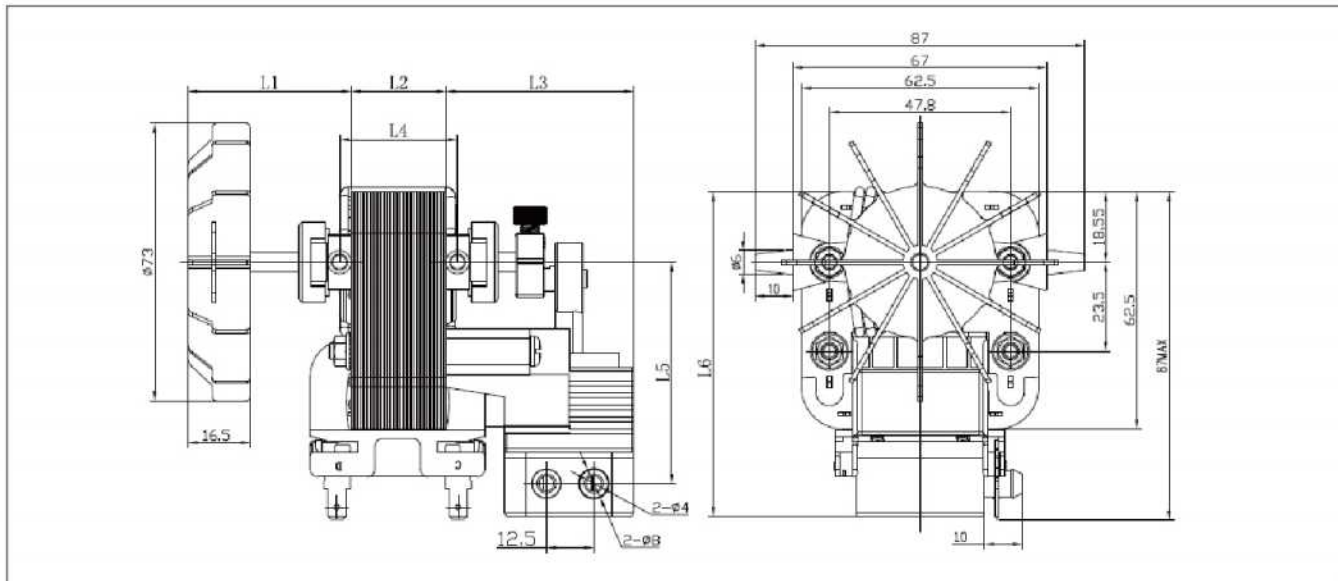
产品应用

Product application

- 雾化器
Nebulizer
- 吸痰器
sputum aspirator

外形尺寸

Dimensions



技术参数

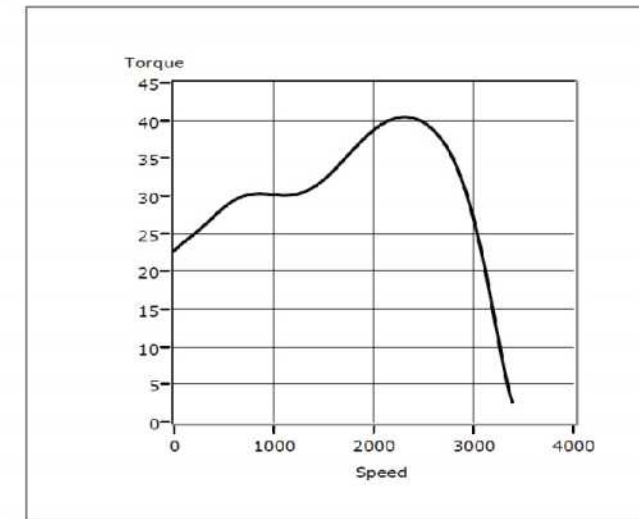
Technical Parameters

型号 Model	尺寸 /Dimensions						参考性能 /Reference Performance							
	L1	L2	L3	L4	L5	L6	空载转速 No-load (RPM)	空载功率 Free power (W)	负载转速 On load speed (RPM)	负载功率 On load power (W)	负载转矩 On load Tor (g.cm)	工作流量 Working flow (L/Min)	工作压力 working pressure (bar)	最大压力 maximum pressure (bar)
YJ64-20	20.5-40.5	38	49.5	26	56 Or 58.5 Or 63.2	78.5 Or 85.5 Or 87.5	2800/3200	32	2500	40	230	6.5	0.8	1.5
YJ64-25	20.5-40.5	43	49.5	31	56 Or 58.5 Or 63.2	78.5 Or 85.5 Or 87.5	2800/3200	42	2500	50	370	5.5	1.3	2.2
YJ64-30	20.5-40.5	48	49.5	36	56 Or 58.5 Or 63.2	78.5 Or 85.5 Or 87.5	2800/3200	50	2500	60	550	4.5	1.6	2.8

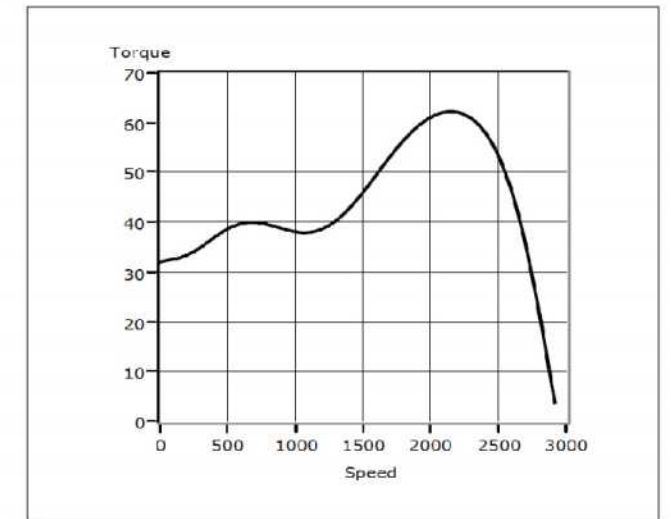
T-S 曲线

T-S Curve

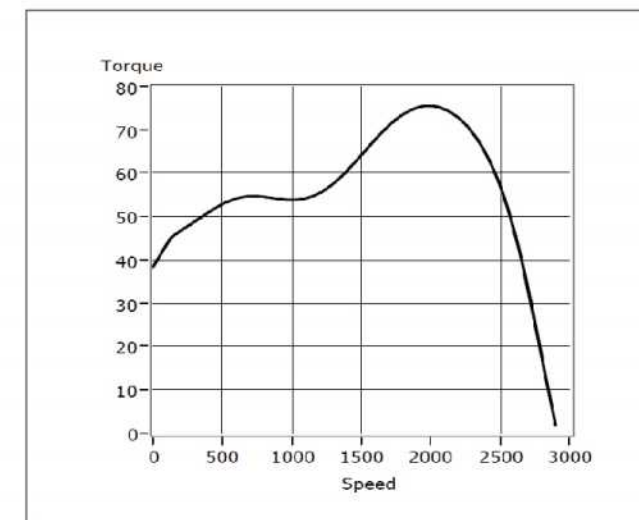
● YJ64-20



● YJ64-25



● YJ64-30



YJ72系列

YJ72 SERIES



性能参数

Technical Data

- 电压:100-240V
- Voltage: 100-240v
- 频率:50/60Hz
- Frequency: 50/60Hz
- 绝缘等级:H
- Insulation class: H
- 寿命:3000小时以上(含油轴承)
- Life: more than 3000 hours (sleeve bearing)
- 6000小时以上(滚珠轴承)
- more than 6000 hours (ball bearing)

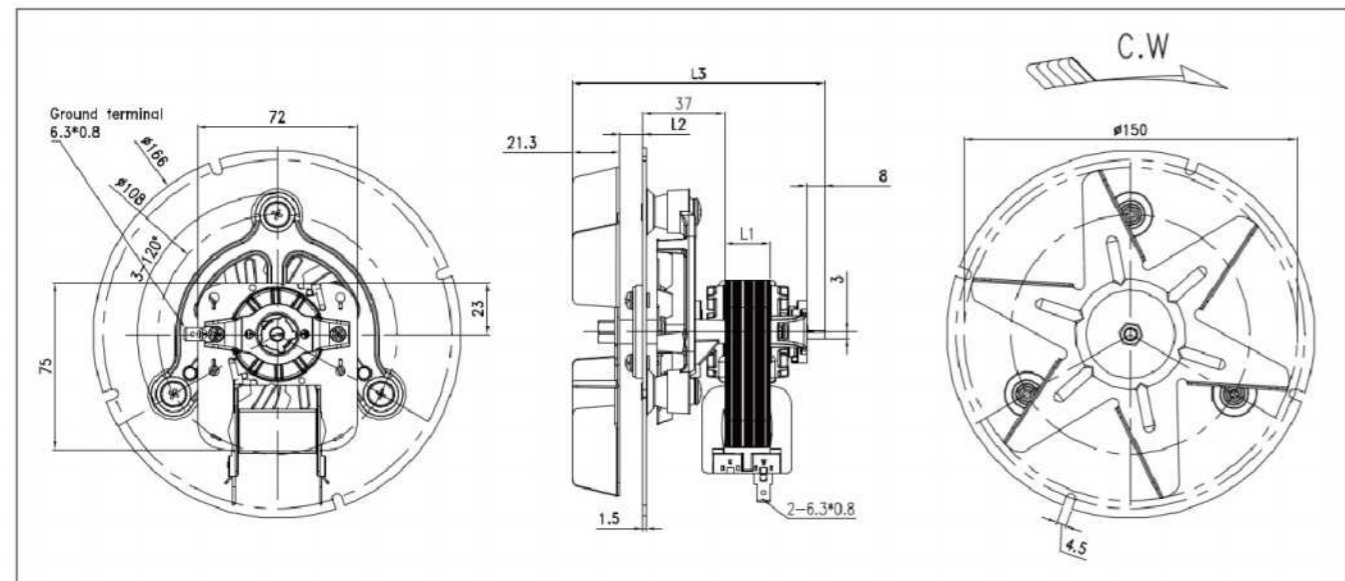
产品应用

Product application

烤箱
Oven

外形尺寸

Dimensions



技术参数

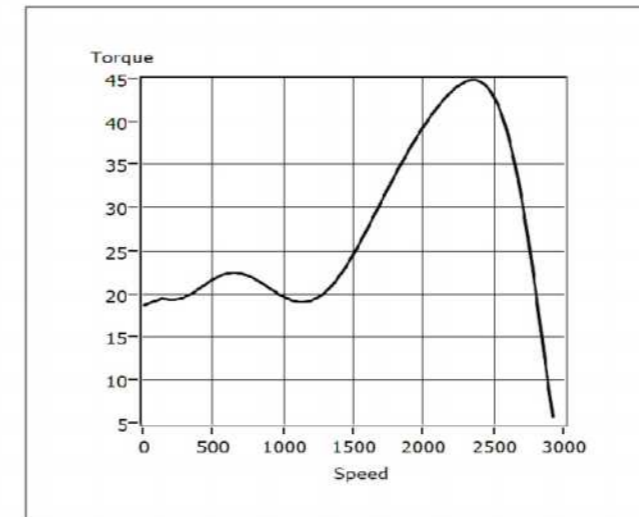
Technical Parameters

型号 Model	尺寸 /Dimensions			参考性能 /Reference Performance				
	L1	L2	L3	空载转速 No-load (RPM)	空载功率 Free power (W)	负载转速 On load speed (RPM)	负载功率 On load power (W)	负载转矩 On load Tor (g.cm)
YJ72-20	20.5	10-30	115-135	2800 / 3200	41	2200	50	480
YJ72-25	25.5	10-25	120-135	2800 / 3200	51	2400	60	530
YJ72-30	30.5	10-20	125-135	2800 / 3200	59	2600	70	660

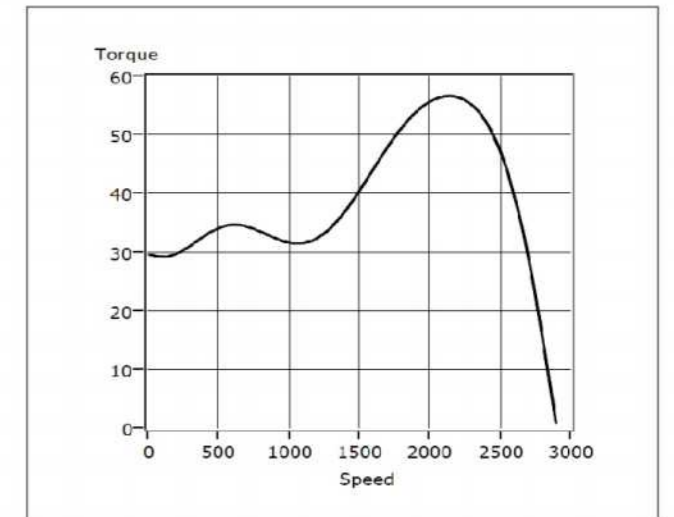
T-S 曲线

T-S Curve

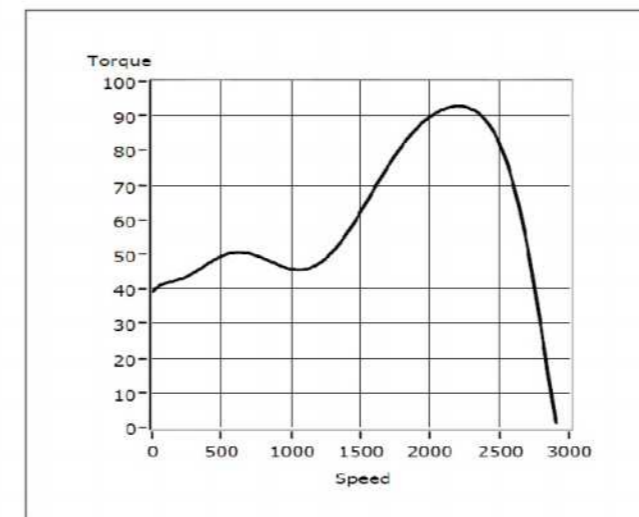
● YJ72-20



● YJ72-25



● YJ72-30



YJ72系列

YJ72 SERIES



性能参数

Technical Data

- 电压:100-240V
- Voltage: 100-240v
- 频率:50/60Hz
- Frequency: 50/60Hz
- 绝缘等级:H
- Insulation class: H
- 寿命:5000小时以上(含油轴承)
1000小时以上(滚珠轴承)
- Life: more than 5000 hours (sleeve bearing)
more than 1000 hours (ball bearing)

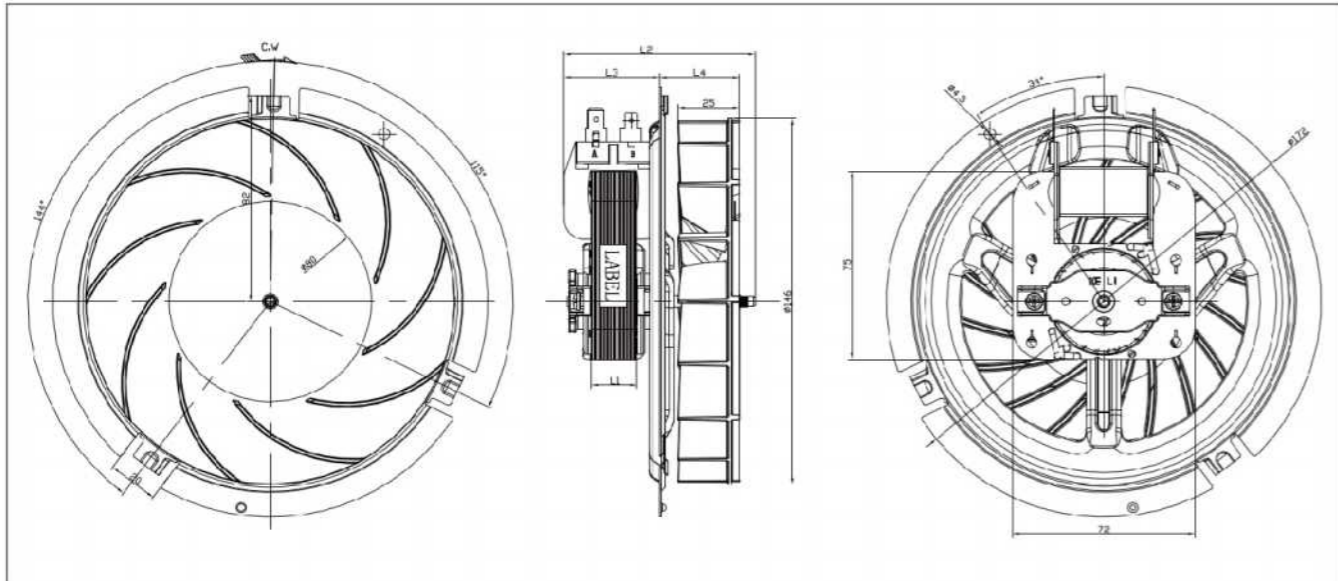
产品应用

Product application

烤箱
Oven

外形尺寸

Dimensions



技术参数

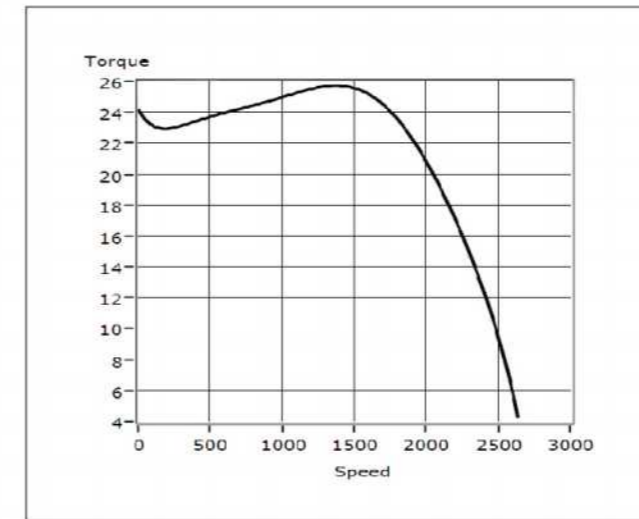
Technical Parameters

型号 Model	尺寸 /Dimensions				参考性能 /Reference Performance				
	L1	L2	L3	L4	空载转速 No-load (RPM)	空载功率 Free power (W)	负载转速 On load speed (RPM)	负载功率 On load power (W)	负载转矩 On load Tor (g.cm)
YJ72-14	13.5	65-90	33.5	28-50	2800/3200	27	1800	36	180
YJ72-18	18	70-90	38	75-110	2800/3200	36	2200	45	330

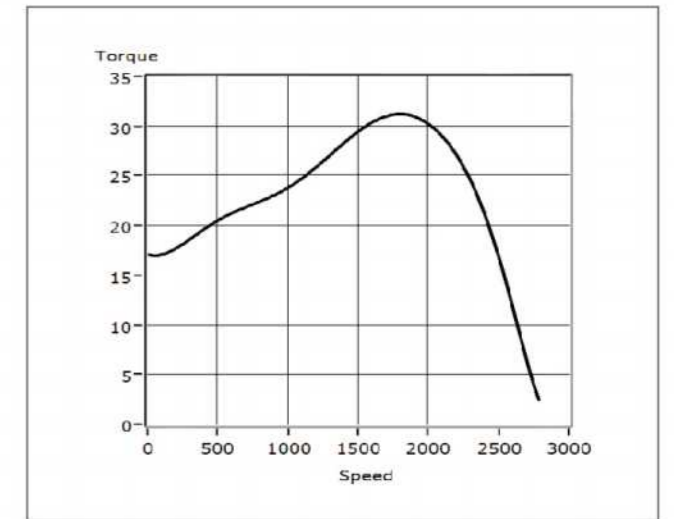
T-S 曲线

T-S Curve

● YJ72-14



● YJ72-18



YJ80系列 YJ80 SERIES



性能参数

Technical Data

- 电压:100-240V
- 频率:50/60Hz
- 绝缘等级:B/F
- 寿命:3000小时以上(含油轴承)
10000小时以上(滚珠轴承)
- Voltage of 100-240V
- Frequency: 50/60Hz
- Insulation class: B/F
- Life: more than 3000 hours (sleeve bearing)
more than 10000 hours (ball bearing)

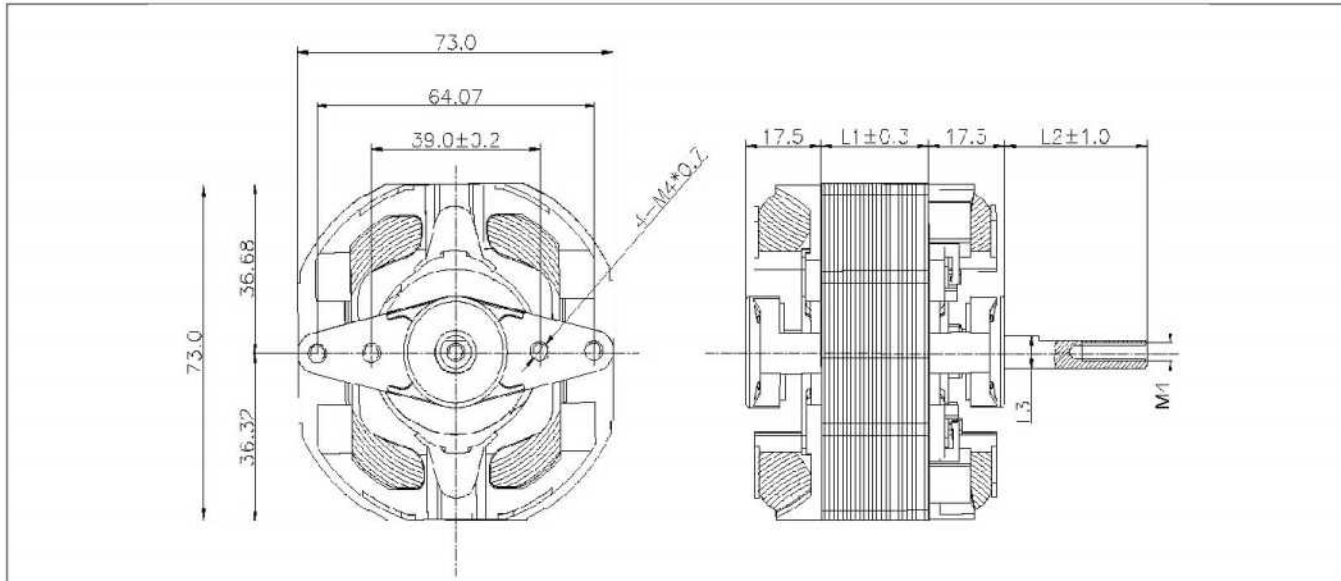
产品应用

Product application

- 换气扇
ventilation fan
- 风扇
fan

外形尺寸

Dimensions



技术参数

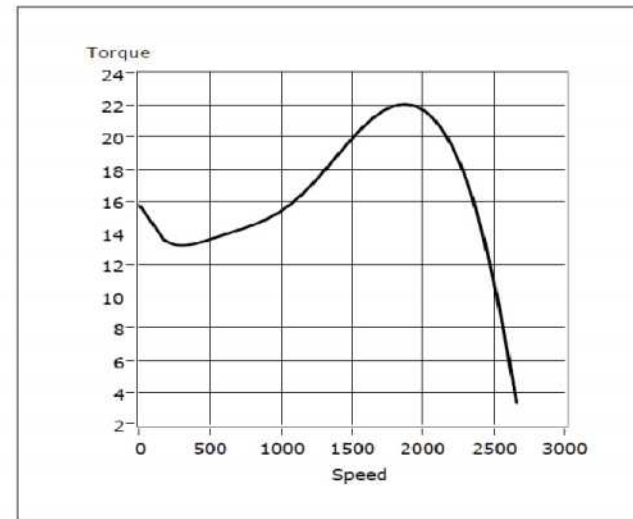
Technical Parameters

型号 Model	尺寸 /Dimensions			参考性能 /Reference Performance					
	L1	L2	L3	空载转速 No-load (RPM)	空载功率 Free power (W)	负载转速 On load speed (RPM)	负载功率 On load power (W)	负载转矩 On load Tor (g.cm)	风速 air speed (m/s)
YJ80-13	13.5	37	Ø7、Ø8	2600/3200	26	2200	32	110	6
YJ80-25	25	33		2600/3200	42	2400	50	180	9
YJ80-35	35	31.5		2600/3200	95	2600	110	450	12

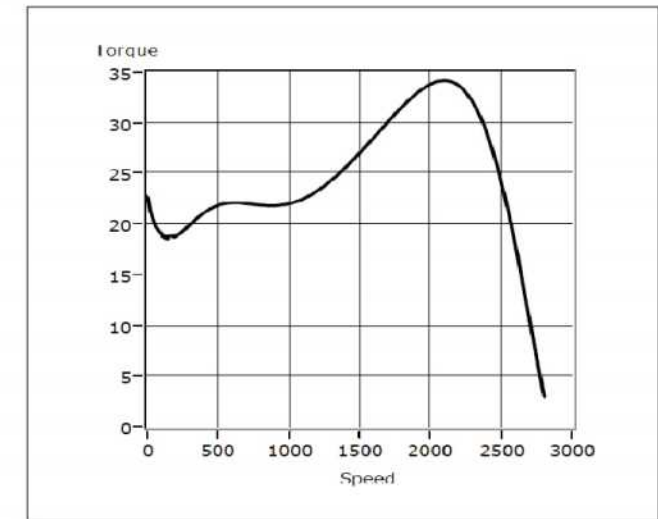
T-S 曲线

T-S Curve

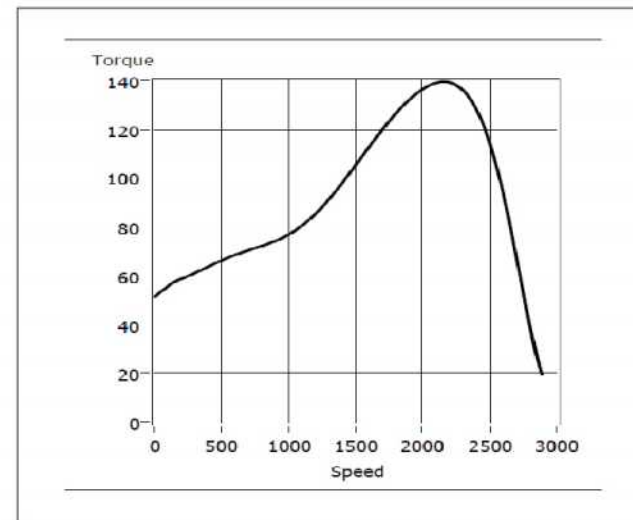
● YJ80-13



● YJ80-25



● YJ80-35



YJ82系列

YJ82 SERIES



性能参数

Technical Data

- 电压220-240V
- Voltage: 220-240v
- 频率:50/60Hz
- Frequency: 50/60Hz
- 绝缘等级:B/E
- Insulation class: B/E
- 寿命:1000小时以上(含油轴承)
- Life: more than 1000 hours (sleeve bearing)
- 2000小时以上(滚珠轴承)
- more than 2000 hours (ball bearing)

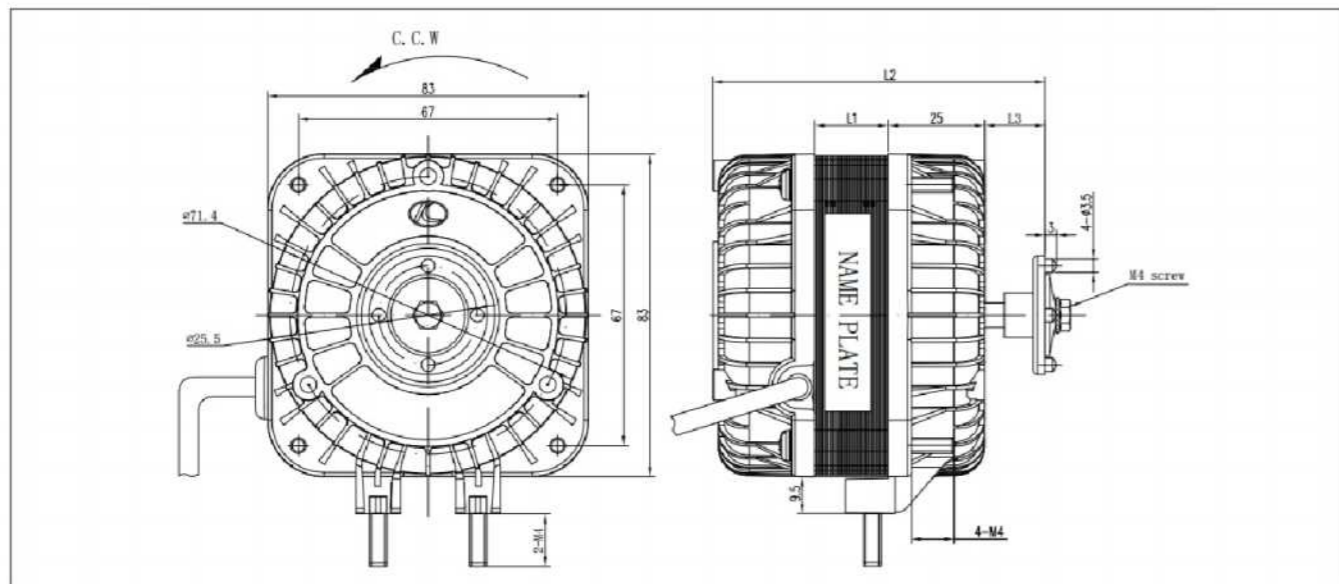
产品应用

Product application

- 暖风机
heater
- 热水器
water heater

外形尺寸

Dimensions



技术参数

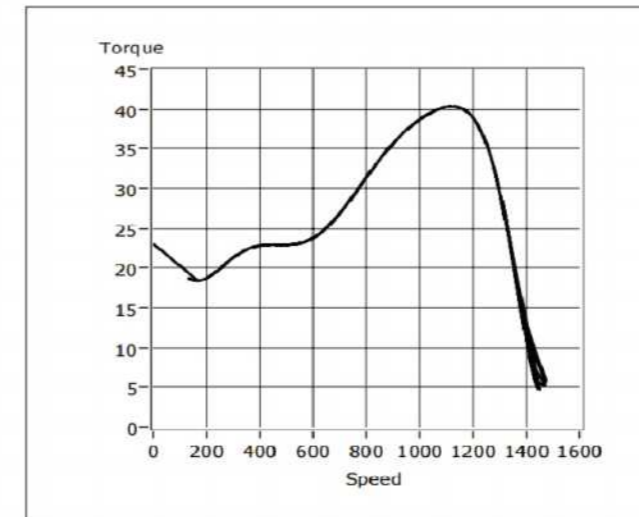
Technical Parameters

型号 Model	尺寸 /Dimensions			参考性能 /Reference Performance				
	L1	L2	L3	空载转速 No-load (RPM)	空载功率 Free power (W)	负载转速 On load speed (RPM)	负载功率 On load power (W)	负载转矩 On load Tor (g.cm)
YJ82-13	13	80-94	16-30	1400/1700	26	1200	33	300
YJ82-19	19	86-100	16-30	1400/1700	32	1250	40	480
YJ82-25	25	92-106	16-30	1400/1700	40	1300	48	650

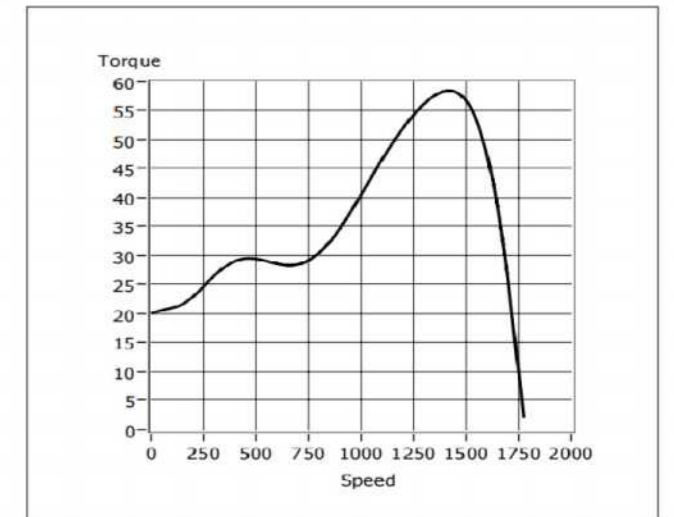
T-S 曲线

T-S Curve

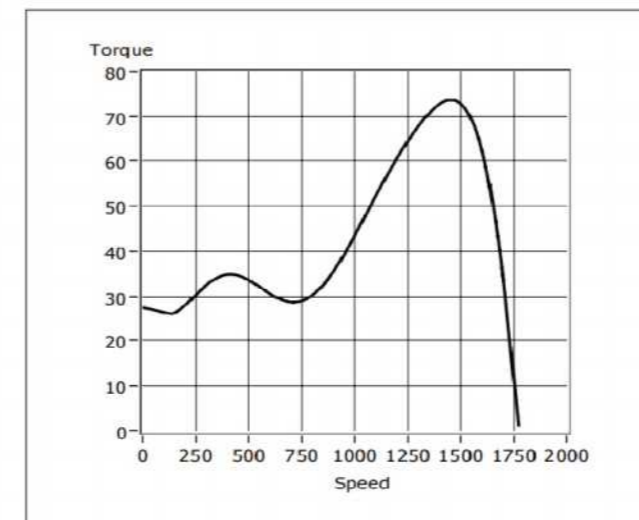
● YJ82-13



● YJ82-19



● YJ82-25



YJ83系列

YJ83 SERIES



性能参数

Technical Data

- 电压: 100-240V
- 频率: 50/60Hz
- 绝缘等级: B/F/H
- 寿命: 1000小时以上 (含油轴承)
- Voltage: 100-240v
- Frequency: 50/60Hz
- Insulation class: B/F/H
- Life: more than 1000 hours (sleeve bearing)

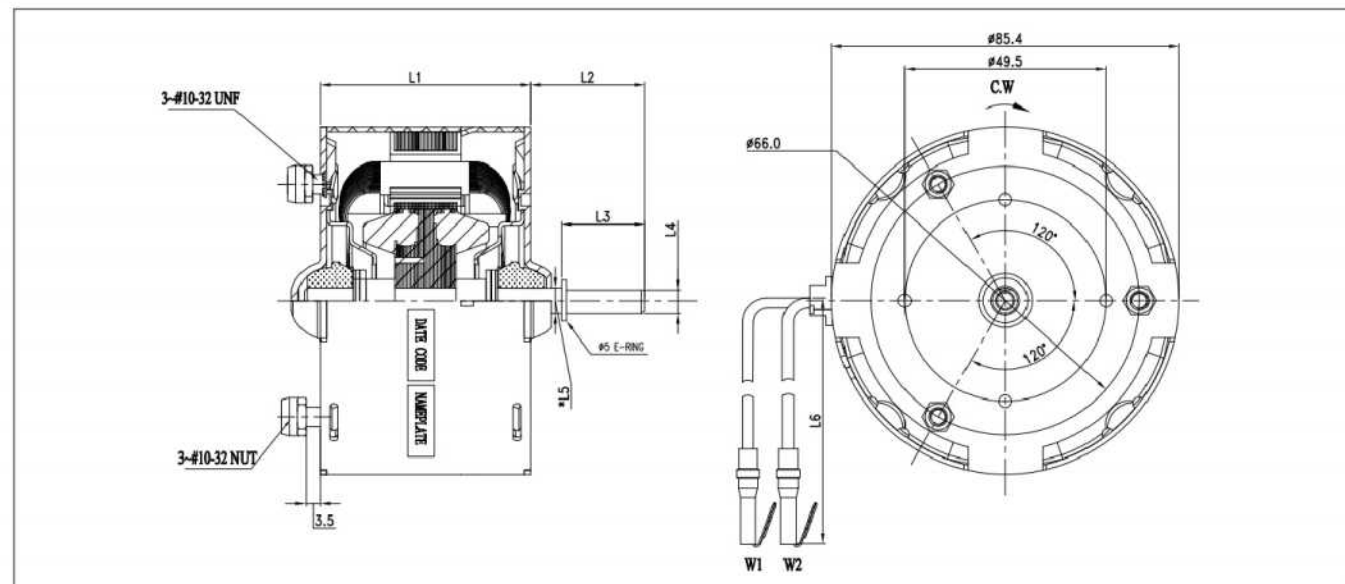
产品应用

Product application

暖风机
Heater

外形尺寸

Dimensions



技术参数

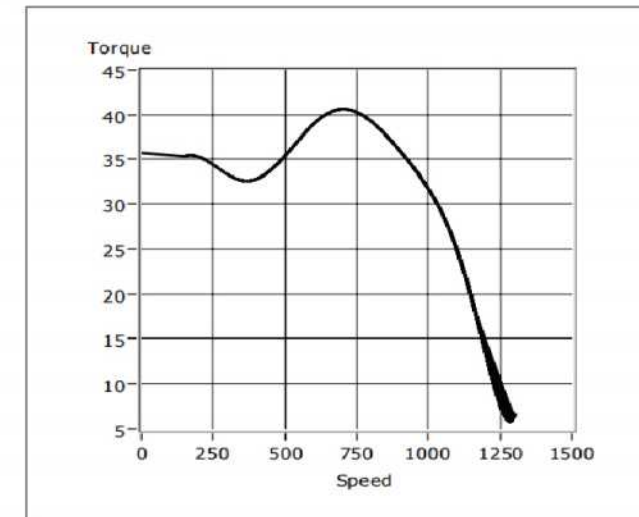
Technical Parameters

型号 Model	尺寸 /Dimensions						参考性能 /Reference Performance				
	L1	L2	L3	L4	L5	L6	空载转速 No-load (RPM)	空载功率 Free power (W)	负载转速 On load speed (RPM)	负载功率 On load power (W)	负载转矩 On load Tor (g.cm)
YJ83-12	48.8	25-40	15-30	5	Φ6 Or Φ6.35	100-400	1400/1700	31	1250	40	300
YJ83-15	51.8	25-40	15-30	5	Φ6 Or Φ6.35	100-400	1400/1700	37	1300	45	480
YJ83-25	61.8	25-40	15-30	5	Φ6 Or Φ6.35	100-400	1400/1700	42	1350	50	980
YJ83-32	68.8	25-40	15-30	5	Φ6 Or Φ6.35	100-400	1400/1700	88	1400	100	1500
YJ83-35	71.8	25-40	15-30	5	Φ6 Or Φ6.35	100-400	1400/1700	101	1400	110	1780
YJ83-38	74.8	25-40	15-30	5	Φ6 Or Φ6.35	100-400	2800/3200	185	2500	200	1500

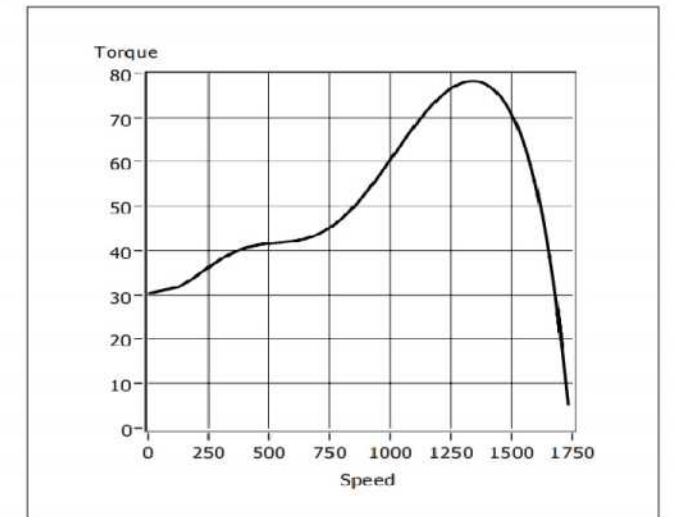
T-S 曲线

T-S Curve

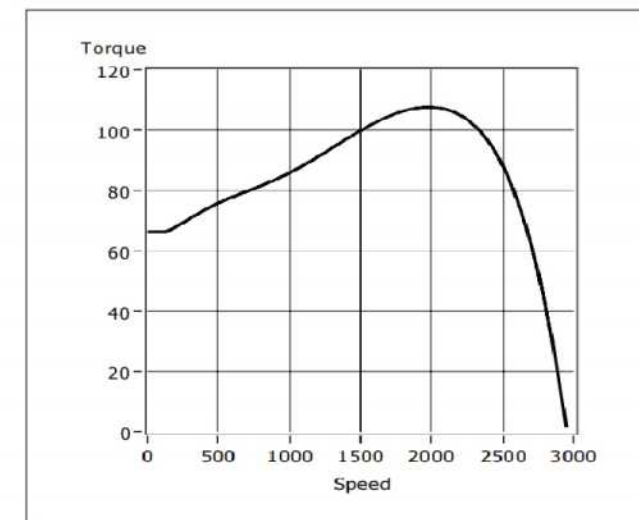
● YJ83-12



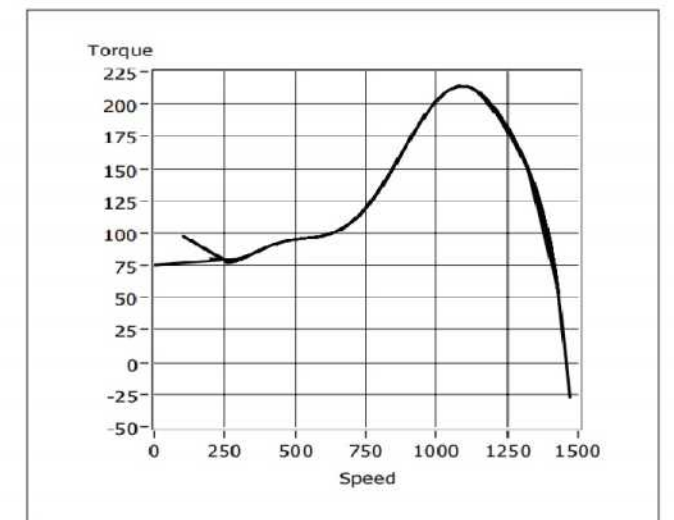
● YJ83-15



● YJ83-25



● YJ83-32



WS46系列

WS46 SERIES



性能参数

Technical Data

- 电压: 220-240V
- Voltage: 220-240V
- 频率: 50/60Hz
- Frequency: 50/60Hz
- 绝缘等级: A
- Insulation class: A
- 寿命: 1000小时以上 (含油轴承)
- Life: more than 1000 hours (sleeve bearing)

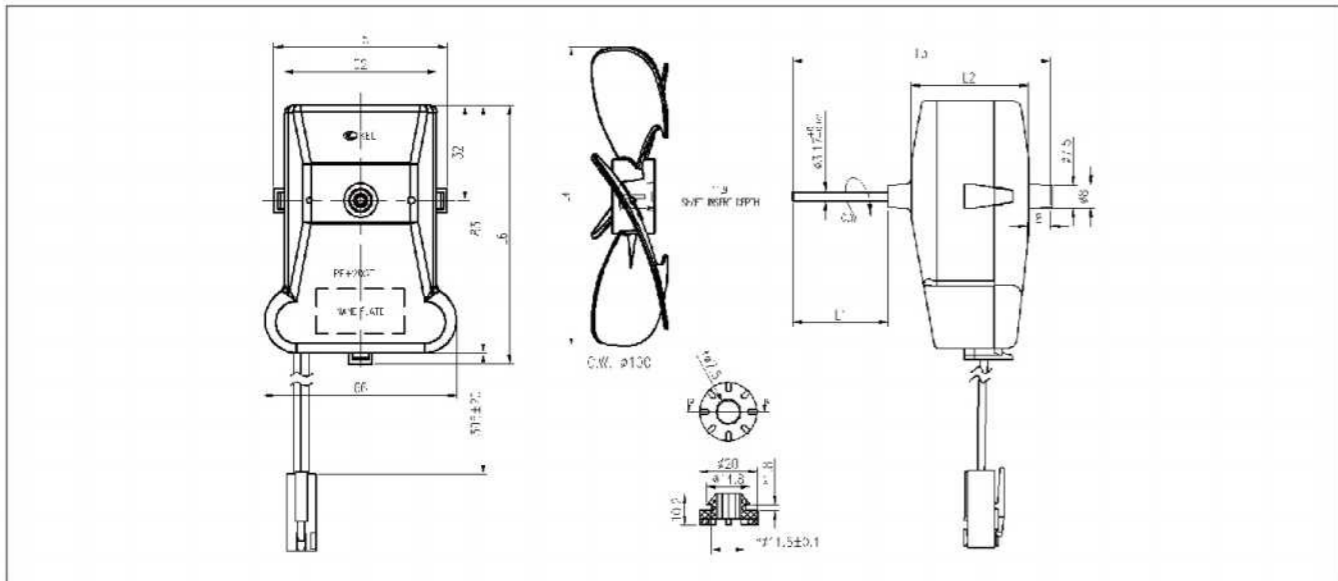
产品应用

Product application

冰箱
Refrigerator

外形尺寸

Dimensions



技术参数

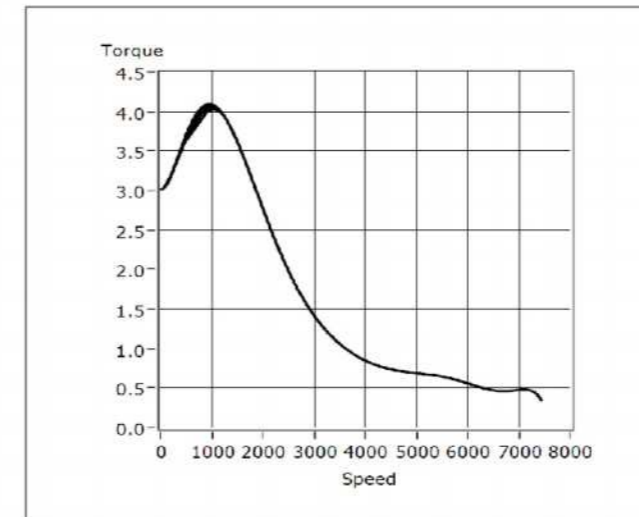
Technical Parameters

型号 Model	尺寸 / Dimensions						参考空载性能 / Reference No-load performance			参考负载性能 / Reference load performance			
	L1	L2	L3	L4	L5	L6	转速 (RPM) Speed (RPM)	功率 (W) Power (W)	电流 (A) Current (A)	扭矩 (mNm) Torque (A)	转速 (RPM) Speed (RPM)	功率 (W) Power (W)	电流 (A) Current (A)
WS46-12A	32.5	40	88.5	100	59	86.5	≥6000	2.3	0.07	2.3	2200	1.9	0.07

T-S 曲线

T-S Curve

● WS46-12A



WP32系列

WP32 SERIES



性能参数

Technical Data

- 电压: 12VDC
- 绝缘等级: B
- 寿命: 2000小时以上 (含油轴承)
- Voltage: 12 VDC
- Insulation class: B
- Life: more than 2000 hours (sleeve bearing)

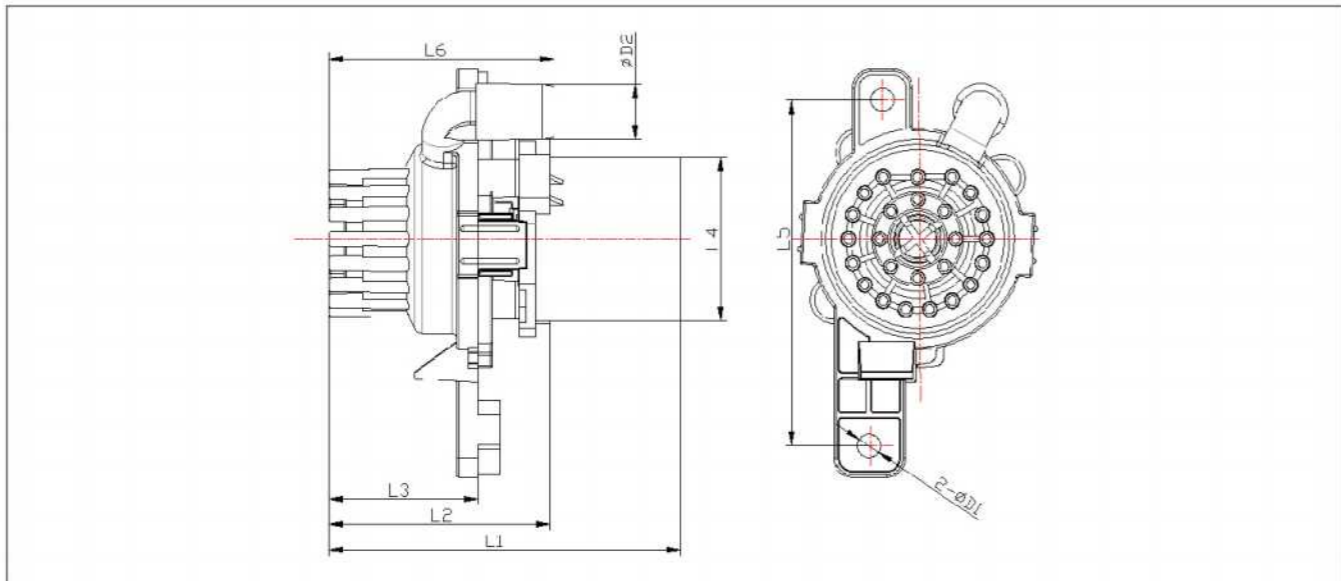
产品应用

Product application

空调水洗系统
air conditioning washing system

外形尺寸

Dimensions



技术参数

Technical Parameters

型号 Model	尺寸 /Dimensions							
	L1	L2	L3	L4	L5	L6	D1	D2
WP32-27	76	47.5	31.3	34.5	72.8	48.9	5	12

型号 Model	参考性能 /Reference Performance							
	空载转速 No-load (RPM)	空载功率 Free power (W)	负载转矩 On load Tor (g.cm)	负载转速 On load speed (RPM)	负载功率 On load power (W)	最小流量 Minimum flow (mL/Min)	最小扬程 Minimum lift (m)	水位 Water level (mm)
WP32-27	2200	0.36	2.8	1500	0.8	750	0.2	10

GL30系列 GL30 SERIES



性能参数

Technical Data

- 电压:100-240V
- Voltage: 100-240v
- 频率:50/60Hz
- Frequency: 50/60Hz
- 绝缘等级:A/E/B/F/H/N
- Insulation class: A/E/B/F/H/N
- 寿命:10年(有必要,可以设计达到20年)
- Life: 10 years (if necessary, can be designed to reach 20 years)
- 风轮直径:30mm
- Fan wheel diameter: 30mm
- 长度:100~300mm
- length: 100 ~ 300 mm

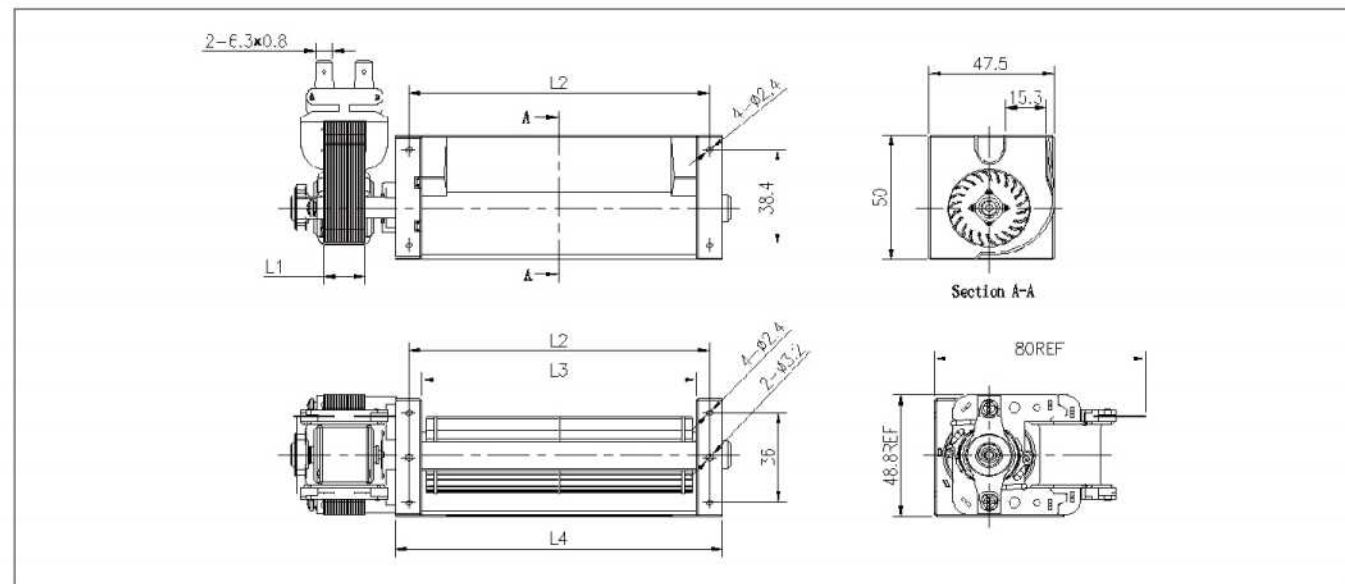
产品应用

Product application

- 烤箱
Ovens
- 冰箱
refrigerators
- 空调
air conditioners
- 壁炉
fireplaces
- 暖风机
heaters
- 通风机
ventilators

外形尺寸

Dimensions



技术参数

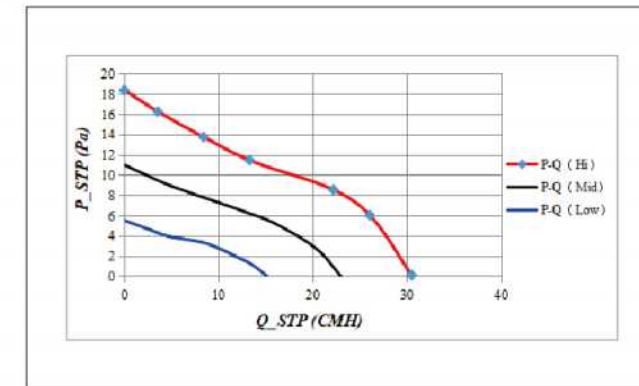
Technical Parameters

型号 Model	尺寸 /Dimensions				参考性能 /Reference Performance			
	L1	L2	L3	L4	转速 Speed (RPM)	风量 air flow (CMH)	风压 Air pressure (Pa)	功率 Power (W)
GL30×100	10.5~ 15.5	113.5	103.5	123.5	2000~3300	30	20	≤15
GL30×250	10.5~ 15.5	258	248	268	1600~3200	75	20	≤20
GL30×300	10.5~ 15.5	312.6	302.6	332.6	1600~3200	90	20	≤25

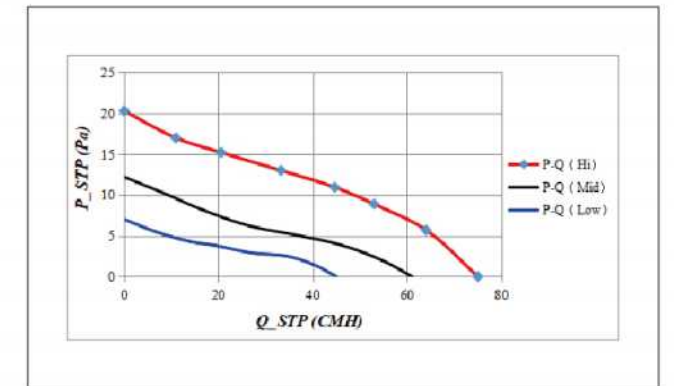
P-Q曲线

P-Q Curve

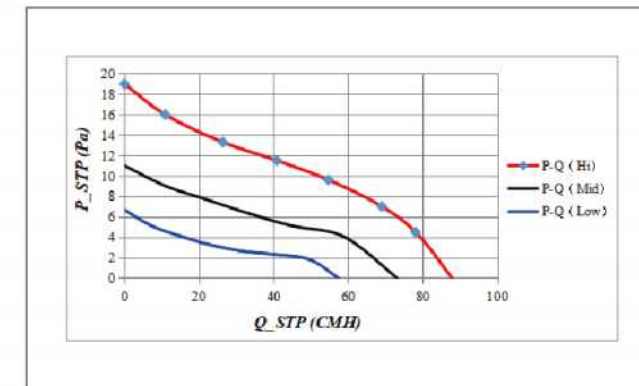
● GL30×100



● GL30×250



● GL30×300



GL45系列

GL45 SERIES



性能参数

Technical Data

- 电压:100-240V
- 频率:50/60Hz
- 绝缘等级:A/E/B/F/H/N
- 寿命:寿命:10年(有必要,可以设计达到20年)
- 风轮直径:45mm
- 长度:125~240mm
- Voltage: 100~240v
- Frequency: 50/60Hz
- Insulation class: A/E/B/F/H/N
- Life: 10 years (if necessary, can be designed to reach 20 years)
- Fan wheel diameter: 45mm
- length: 125 ~ 240 mm

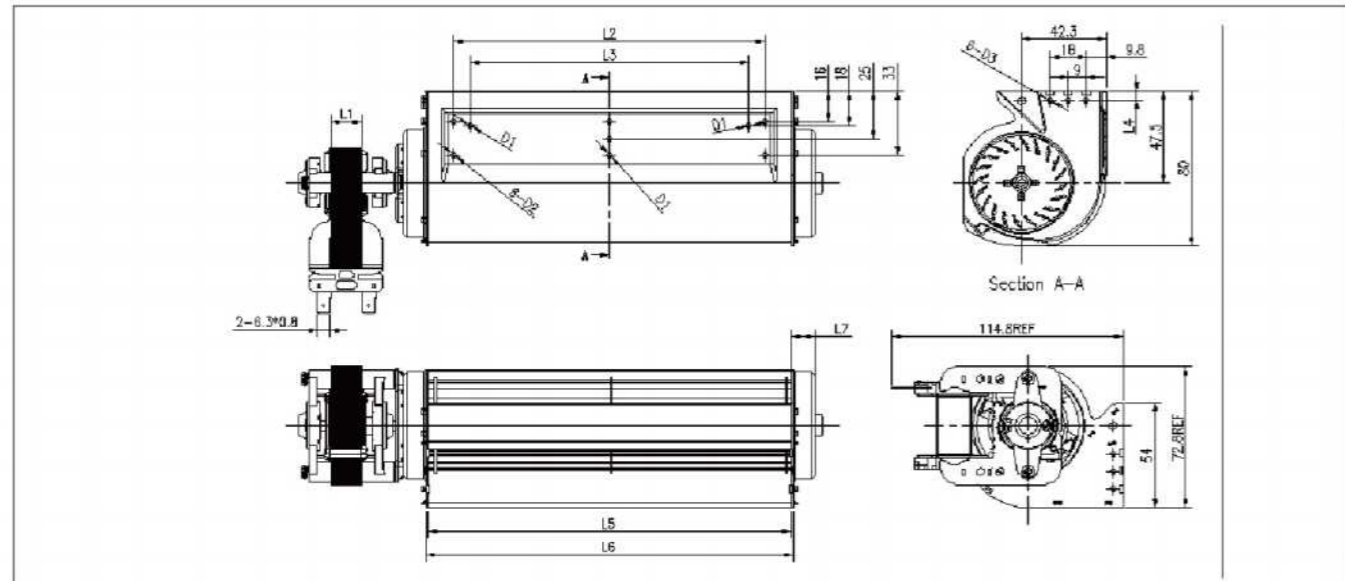
产品应用

Product application

- 烤箱
Ovens
- 冰箱
refrigerators
- 空调
air conditioners
- 壁炉
fireplaces
- 暖风机
heaters
- 通风机
ventilators

外形尺寸

Dimensions



技术参数

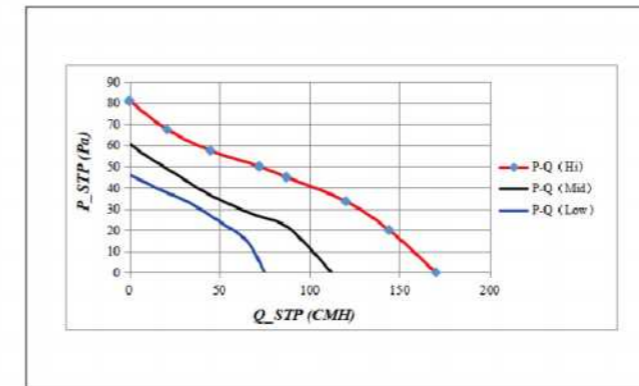
Technical Parameters

型号 Model	尺寸 /Dimensions										参考性能 /Reference Performance			
	L1	L2	L3	L4	L5	L6	L7	D1	D2	D3	转速 Speed (RPM)	风量 air flow (CMH)	风压 Air pressure (Pa)	功率 Power (W)
GL45×125	10.5~25.5	/	/	3.4 or 5.0	125	127	12	/	/	2.3 or 3.2	1600~2900	110	70	≤25
GL45×160	10.5~25.5	110	84.6	3.4 or 5.0	162	164	5.5	3.2	3.2	2.3 or 3.2	1400~2900	140	70	≤35
GL45×180	10.5~25.5	154	138	3.4 or 5.0	180	182	5.5 or 12	2.8 or 3.5	3.0 or 3.5	2.3 or 3.2	1200~2900	170	80	≤45
					181	183								
					182	184								
GL45×240	10.5~25.5	183.7	154	3.4 or 5.0	242	242	12	2.8 or 3.5	3.0 or 3.5	2.3 or 3.2	1200~2900	230	80	≤45
					188	190								

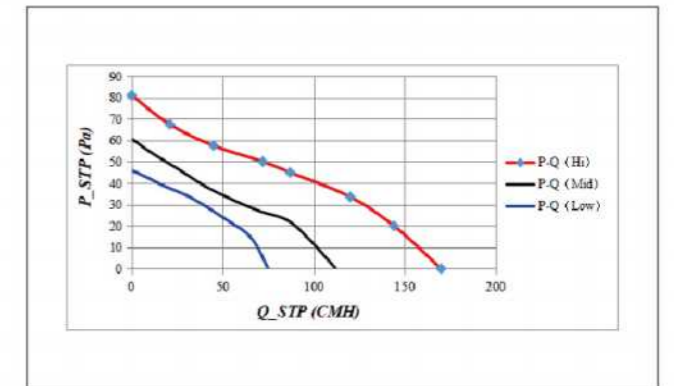
P-Q曲线

P-Q Curve

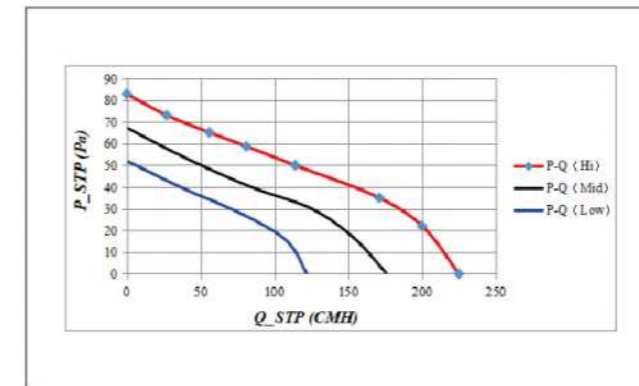
● GL45×125



● GL45×180



● GL45×240



GL60系列 GL60 SERIES



性能参数

Technical Data

- 电压: 100-240V
- Voltage: 100-240v
- 频率: 50/60Hz
- Frequency: 50/60Hz
- 绝缘等级: A/E/B/F/H/N
- Insulation class: A/E/B/F/H/N
- 寿命: 10年 (有必要, 可以设计达到20年)
- Life: 10 years (if necessary, can be designed to reach 20 years)
- 风轮直径: 60mm
- Fan wheel diameter: 60mm
- 长度: 120-360mm
- length: 120-360mm

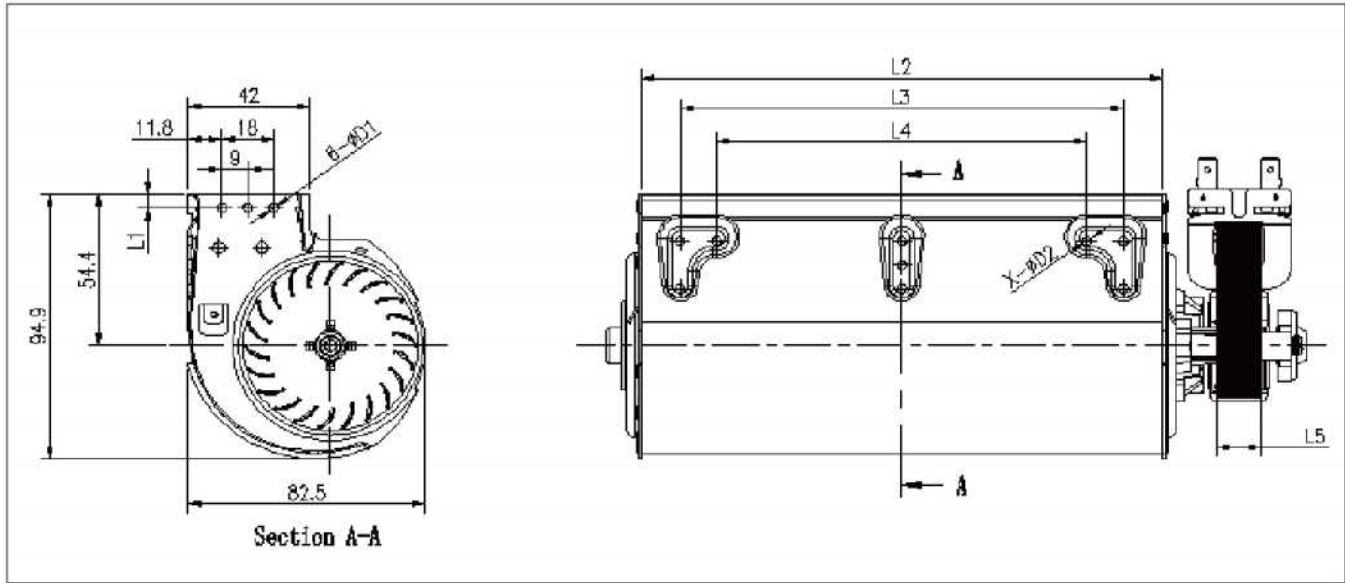
产品应用

Product application

- 烤箱
Ovens
- 冰箱
refrigerators
- 空调
air conditioners
- 壁炉
fireplaces
- 暖风机
heaters
- 通风机
ventilators

外形尺寸

Dimensions



技术参数

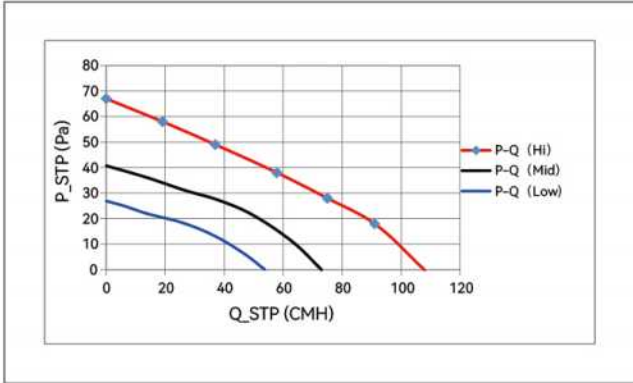
Technical Parameters

型号 Model	尺寸 / Dimensions								参考性能 / Reference Performance			
	L1	L2	L3	L4	L5	D1	D2	X	转速 speed (RPM)	风量 air flow (CMH)	风压 Air pressure (Pa)	功率 Power (W)
GL60×120	3.4 Or 5.0	121	95.5	/	10-20	2.3 Or 3.2	3.0	4	1900	95	60	≤25
GL60×160	3.4 Or 5.0	156	110	84.6	10-25	2.3 Or 3.2	3.4	9	1900	125	60	≤35
GL60×180	3.4 Or 5.0	181	154	128.6	10-25	2.3 Or 3.2	3.2 Or 3.5	9	2250	180	80	≤45
GL60×183.7	3.4 Or 5.0	183.7	154	128.6	10-25	2.3 Or 3.2	3.2 Or 3.5	9	2250	180	80	≤45
GL60×200	3.4 Or 5.0	204.7	154	128.6	10-25	2.3 Or 3.2	3.5	9	1600	140	55	≤45
GL60×240	3.4 Or 5.0	242	212	186.6	15-30	2.3 Or 3.2	3.5	9	1600	170	55	≤45
GL60×270	3.4 Or 5.0	272	244	218.6	15-30	2.3 Or 3.2	3.5	9	1600	200	55	≤55
GL60×300	3.4 Or 5.0	303	272	246.6	15-30	2.3 Or 3.2	3.5	9	1600	230	55	≤55
GL60×360	3.4 Or 5.0	366	312	286.6	15-30	2.3 Or 3.2	3.5	9	1600	300	55	≤65

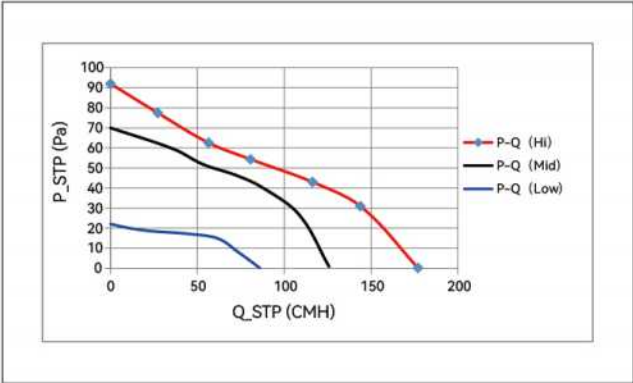
P-Q曲线

P-Q Curve

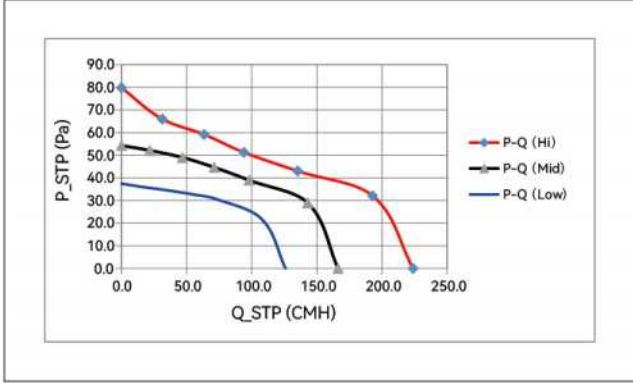
● GL60×120



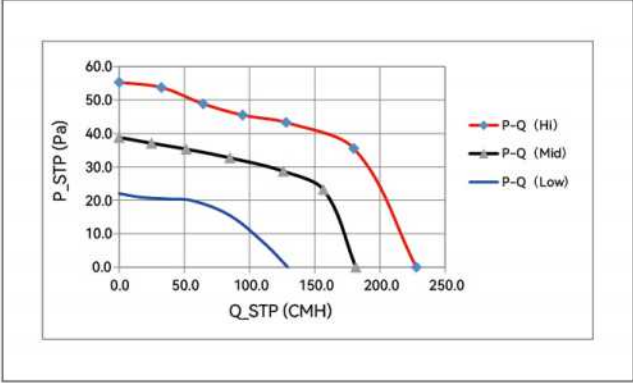
● GL60×180



● GL60×240



● GL60×300



GL65系列 GL65 SERIES



性能参数

Technical Data

- 电压: 100-240V
- 频率: 50/60Hz
- 绝缘等级: A/E/B/F/H/N
- 寿命: 10年 (有必要, 可以设计达到20年)
- 风轮直径: 60mm
- 长度: 120~360mm
- Voltage: 100-240v
- Frequency: 50/60Hz
- Insulation class: A/E/B/F/H/N
- Life: 10 years (if necessary, can be designed to reach 20 years)
- Fan wheel diameter: 60mm
- length: 120~360mm

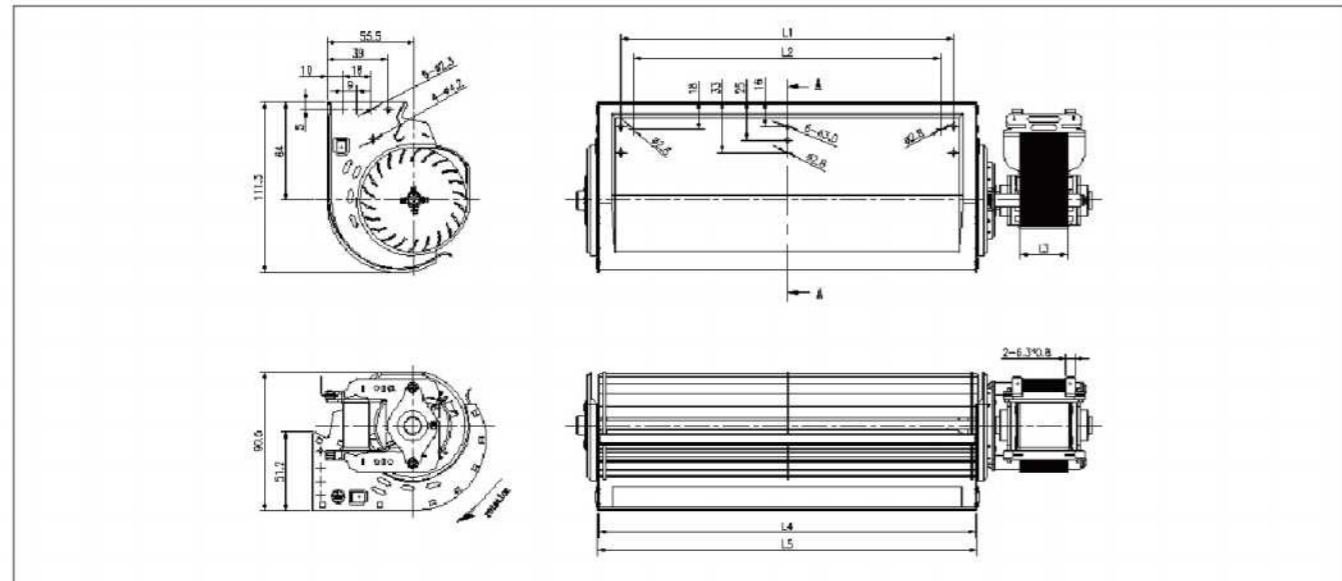
产品应用

Product application

- 烤箱
Ovens
- 冰箱
refrigerators
- 空调
air conditioners
- 壁炉
fireplaces
- 暖风机
heaters
- 通风机
ventilators

外形尺寸

Dimensions



技术参数

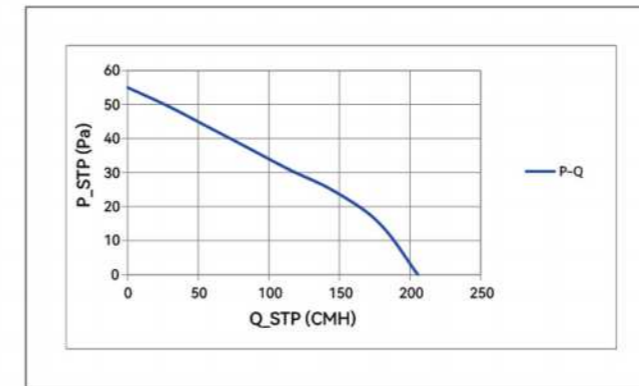
Technical Parameters

型号 Model	尺寸 / Dimensions								
	L1	L2	L3	L4	L5	转速 Speed (RPM)	风量 air flow (CMH)	风压 Air pressure (Pa)	功率 Power (W)
GL65×240	212	196	30.5	240	242	1350	200	55	≤60

P-Q曲线

P-Q Curve

- GL65×240



LX97系列 LX97 SERIES



性能参数

Technical Data

- 电压:100-240V
- 频率:50/60Hz
- 绝缘等级:F/H/N
- 寿命:寿命:10年
- 风轮直径:97mm
- 高度:35mm
- Voltage: 100-240v
- Frequency: 50/60Hz
- Insulation class: /F/H/N
- Life: 10 years
- Fan wheel diameter: 97mm
- Height: 35mm

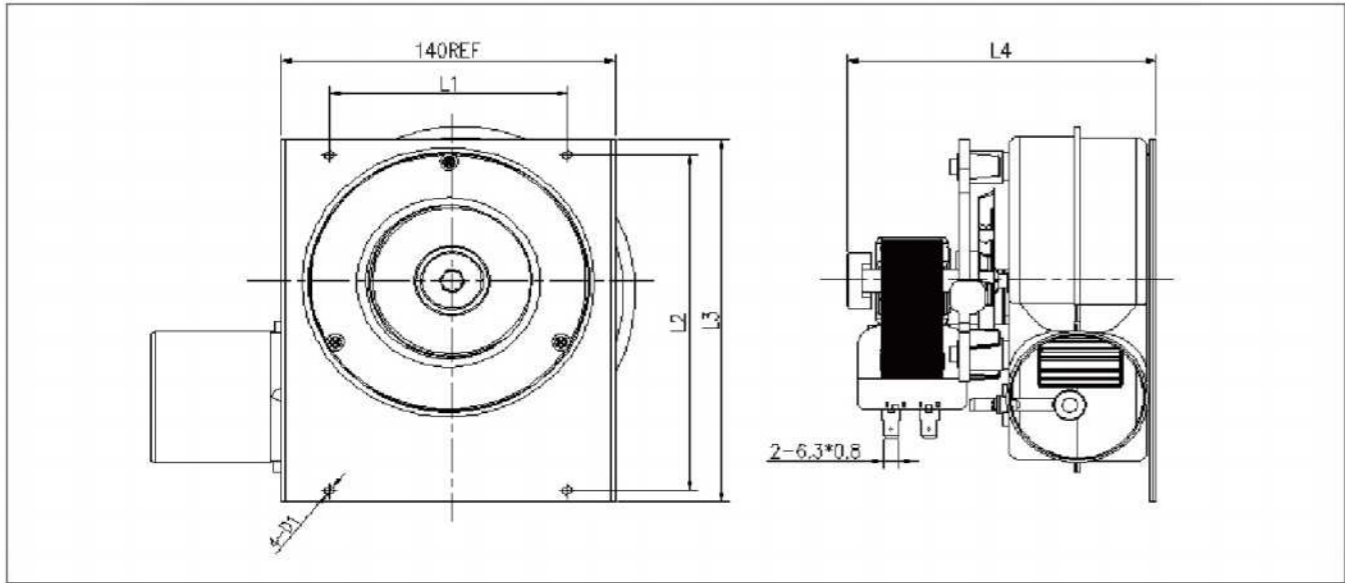
产品应用

Product application

- 壁挂炉 wall-hung furnace
- 消毒柜 disinfection cabinet
- 通风机 ventilator

外形尺寸

Dimensions



技术参数

Technical Parameters

型号 Model	尺寸 /Dimensions					参考性能 /Reference Performance			
	L1	L2	L3	L4	D1	转速 Speed (RPM)	风量 air flow (CMH)	风压 Air pressure (Pa)	功率 Power (W)
LX97×35	100	153 or 173	165 or 185	130 or 135	4.0 or 6.0	1500-2400	100	200	≤55

P-Q曲线

P-Q Curve

- GL97×35

